



PDRDE

Revolution Display Euro

Contemporary touchscreen user interface

The Philips Dynalite Revolution Display features a sleek, contemporary design and dynamically detects and responds to user presence. The full-colour capacitive touchscreen display can perform a variety of local and site-wide control functions.

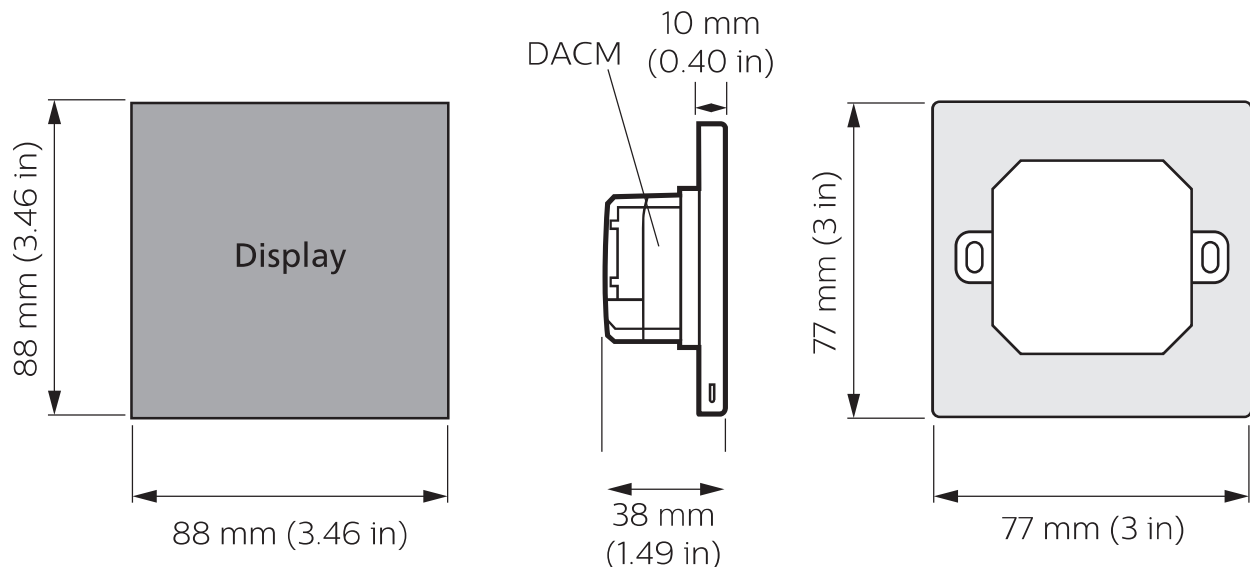
The Revolution Euro range is suitable for, but not limited to, European, Middle Eastern, African and Asian markets.

PDRDE

Contemporary touchscreen user interface

- **User proximity detection** – The user interface detects an approaching user and lights up to encourage interaction, then dims automatically as they move away to reduce light pollution.
- **Colour touchscreen display** – Provides at-a-glance system information with intuitive, easily understandable control options.
- **Supplied as two components** – The application module includes the display and mounting plate. The communication module (DACM) contains logical and network functions and can be programmed off-site to enable commissioning prior to application module installation.
- **64-channel DMX Tx support** – Can be factory-set to DMX instead of DyNet, to communicate directly with DMX fixtures
- **Multiple language and icon labeling** – Language choices include English, Chinese and Arabic. A library of common icons transcends language barriers, which is particularly useful in hospitality applications.
- **Hidden sensory inputs** – An internal light sensor measures ambient light and adjusts the lightwash effect accordingly. A built-in temperature sensor automatically adjusts air conditioning when integrated into the system.

Dimensions



Specifications

Due to continuous improvements and innovations, specifications may change without notice.



PDRDE Revolution Display Euro

Electrical

Supply Type	DyNet
Supply Voltage	12-24 VDC SELV/Class 2
Supply Current	120 mA (max) @ 12 VDC 60 mA (max) @ 24 VDC
IEC Overvoltage category	III

Application Module

User Inputs	Capacitive touchscreen
Display Type	a-Si TFT
Resolution	720 x 720 px
Display Area	72 x 72 mm (2.83 x 2.83 in)
Number of colours	16.7M
Temperature Sensor Range	5° to 40°C (41° to 104°F)
Temperature Sensor Accuracy	± 1°C (± 1.8°F)
Field Effect Detection Range	approx. 10 cm (4 in)

Communication Module

Serial Ports	1 x RS-485
Supported Protocols	DyNet DMX Tx
DMX Tx Channels	64
User Inputs	1 x service switch
Indicators	1 x service LED

Physical

Dimensions (H x W x D)	88 x 88 x 38 mm (3.46 x 3.46 x 1.49 in) (fully assembled)
Packed Weight (application module)	TBA kg (TBA lb)
Packed Weight (communication module)	0.12 kg (0.25 lb)
Serial Ports	1 x 5-way pluggable screw terminal +V, D-, D+, GND, SHLD
Serial Port Conductor Size	0.3 to 2.5 mm ² (22-12 AWG)

Environment*

Operating Temperature	0° to 50°C ambient (32° to 122°F)
Storage/Transport Temperature	-25° to 70°C ambient (-13° to 158°F)
Relative Humidity	0-90% non-condensing
IEC Pollution Degree	II

Compliance

Certification	CE, RCM, FCC, UKCA, RoHS
Ingress Protection	IP40

* For indoor installation only



Application Module Ordering Code

The Application Module contains the display assembly and metal mounting plate that attaches the Revolution panel securely to the wall, ensuring stable, reliable operation.

Product	Philips 12NC
PDRDxxE-xxB-x (Black)	913703375209
PDRDxxE-xxW-x (White)	913703252009

Communication Module Ordering Code

The Dynalite Application Communication Module (DACM v3 or later) is compatible with all interfaces across the Revolution series, and can be ordered, programmed, installed, wired and tested without the Application Module attached.

This allows the commissioning process to begin before the final finish options have been chosen, or during construction, and protects the Application Module from damage until the site is ready for occupancy.



Product	Philips 12NC
DACM-DyNet (DyNet comms module)	913703072809

Accessories

DINGUS-DUS-DUAL-RJ12 (dual RJ12 connector - pack of 10)	913703064309
DINGUS-UI-DUAL-RJ45 (dual RJ45 connector - pack of 10)	913703334609

© 2025 Signify Holding.

All rights reserved. Specifications are subject to change without notice. No representation or warranty as to the accuracy or completeness of the information included herein is given and any liability for any action in reliance thereon is disclaimed. Philips and the Philips Shield Emblem are registered trademarks of Koninklijke Philips N.V. All other trademarks are owned by Signify Holding or their respective owners.



www.dynalite.com

Revision 04 – 2025-05-14