

# PRODUCT DATASHEET

## DP HOUSING 1200 P 2XLAMP IP65

DAMP PROOF HOUSING GEN 3 | Damp-proof luminaire for T8 LED lamps with tool-free luminaire connector



### Areas of application

- Parking lots, warehouses, production areas
- Car parks and underpasses
- Garages

### Product benefits

- Easy and quick installation
- Prewired for easy installation of tubular AC LED lamps
- Toolless installation
- Robust housing
- Sustainable solution thanks to exchangeable light sources
- 5 years guarantee

### Product features

- Luminaire housing, available for 1 or 2 T8 LED tubes
- Suitable for LED TUBE T8 EM and LED TUBE T8 CONNECTED
- Type of protection: IP65
- Integrated electrical fuse



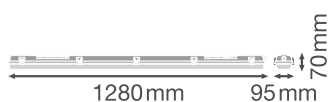
## TECHNICAL DATA

### Electrical data

|                  |             |
|------------------|-------------|
| Nominal voltage  | 220...240 V |
| Mains frequency  | 50...60 Hz  |
| Protection class | II          |

### Dimensions & Weight

|                |            |
|----------------|------------|
| Length         | 1280.00 mm |
| Width          | 95.00 mm   |
| Height         | 70.00 mm   |
| Product weight | 899.00 g   |



### Materials & Colors

|                                            |                    |
|--------------------------------------------|--------------------|
| Product color                              | Gray               |
| Housing color                              | Gray               |
| Body material                              | Polycarbonate (PC) |
| Cover material                             | Polycarbonate (PC) |
| Light emitting surface material            | Polycarbonate (PC) |
| Glow Wire Test according to IEC 60695-2-12 | 850 °C             |
| Mercury content                            | 0.0 mg             |

### Application & Mounting

|                              |                                      |
|------------------------------|--------------------------------------|
| Ambient temperature range    | -30...+40 °C                         |
| Temperature range at storage | -20...+80 °C                         |
| Type of connection           | Screwless terminal, 3-Pole (N, E, L) |

|                                        |         |
|----------------------------------------|---------|
| Type of protection                     | IP65    |
| Protection class IK (shock resistance) | IK08    |
| Dimmable                               | No      |
| Mounting type                          | Surface |
| Mounting location                      | Ceiling |
| Application environment                | Indoor  |
| With light source                      | No      |
| Holder designation                     | G13     |







### Certificates & Standards

|                                                      |                                 |
|------------------------------------------------------|---------------------------------|
| Standards                                            | CE / TÜV Rheinland / EAC / UKCA |
| Luminaire with limited surface temperature, "D sign" | No                              |
| Ball shot safe                                       | No                              |

### EQUIPMENT / ACCESSORIES

- All required accessories included
- Through-wiring cable kit available

### DOWNLOAD DATA

| Documents and certificates                                                         |                                 |
|------------------------------------------------------------------------------------|---------------------------------|
|  | User instruction                |
|  | Packaging insert                |
|  | Declarations Of Conformity CE   |
|  | Declarations Of Conformity UKCA |
| Photometric and lighting design files                                              |                                 |
|  | IES file (IES)                  |
|  | LDT file (Eulumdat)             |

CAD/BIM files



BIM\_Revit\_3D



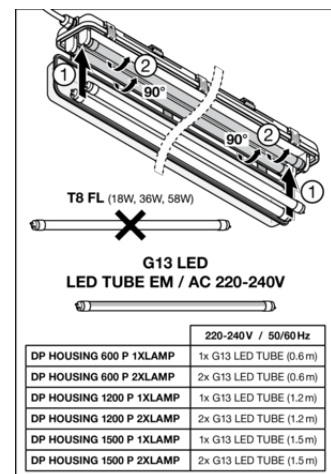
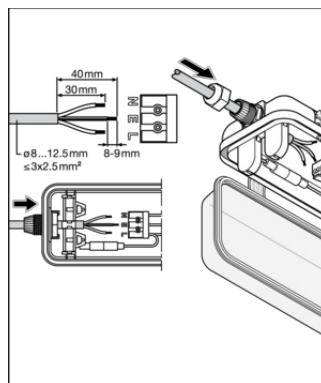
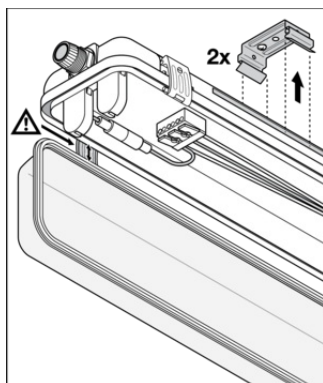
CAD\_STEP\_3D

LOGISTICAL DATA

| Product code  | Packaging unit (Pieces/Unit) | Dimensions (length x width x height) | Gross weight | Volume                |
|---------------|------------------------------|--------------------------------------|--------------|-----------------------|
| 4099854118111 | Folding box<br>1             | 98 mm x 1,272 mm x 75 mm             | 1059.00 g    | 9.35 dm <sup>3</sup>  |
| 4099854118128 | Shipping box<br>9            | 1,287 mm x 306 mm x 237 mm           | 10231.00 g   | 93.34 dm <sup>3</sup> |

The mentioned product code describes the smallest quantity unit which can be ordered. One shipping unit can contain one or more single products. When placing an order, for the quantity please enter single or multiples of a shipping unit.

ADDITIONAL CATALOG INFORMATION



References / Links

- For Guarantee see [www.ledvance.com/guarantee](http://www.ledvance.com/guarantee)

DISCLAIMER

Subject to change without notice. Errors and omission excepted. Always make sure to use the most recent release.