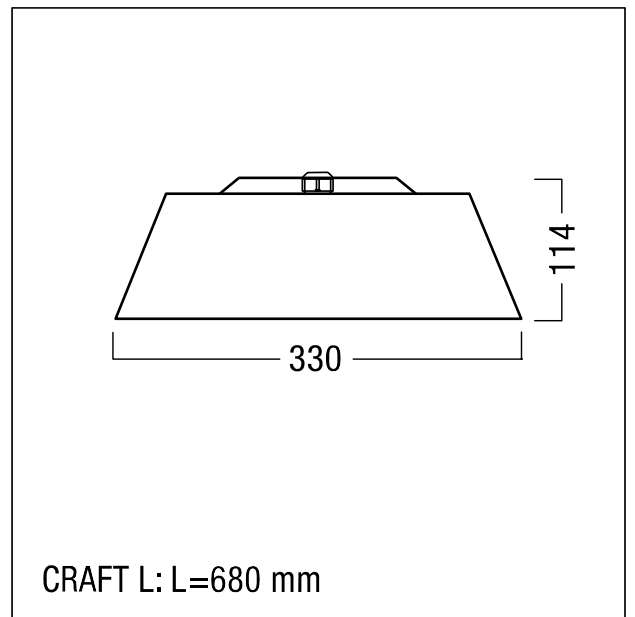


LED high-bay luminaire

LED high-bay luminaire for use in high ambient operating temperatures of up to +70°C Luminaire input power: 131.1 W, includes DALI- and emergency supply-compatible LED converter, housing of die-cast aluminium matt, white. Powder-coated cooling ribs for optimum thermal management and minimal dust accumulation. Cover of transparent polycarbonate. Slave luminaire for DALI control (DALI only) with LED converter. LED service life lasts 50000 h before luminous flux is reduced to 85% of the initial value over the entire ambient temperature range. Chromaticity tolerance (initial MacAdam): 3. Luminaire luminous flux: 20800 lm, Luminaire efficacy: 159 lm/W. Colour rendering Ra > 80, colour temperature 4000 K. Dimming level for DC mode preset to 15 %. Sealed, high-efficiency optical lens system, Luminaire with symmetric wide light distribution (wide beam), UGR <22. Pre-assembled 5 x 1 mm² Ölflex connecting cable, length 2 m, with free ends, included in scope of supply (note: Minimum mounting distance to ceiling min. 250 mm; mounting accessories must be ordered separately). The cable is especially temperature and chemical resistant, halogen-free, flame retardant, oil and UV resistant with protective conductor. Luminaire wired with halogen-free and silicone-free leads. Note: please contact your consultant if you are planning to use in ambient atmospheres with chemical load, high or condensing air humidity, large temperature fluctuations or projects with the necessary absence of silicone. Class of protection: SC1; degree of protection: IP65; ambient temperature: -40°C to +70°C; Dimensions: 680 x 330 x 114 mm. Weight: 10 kg.



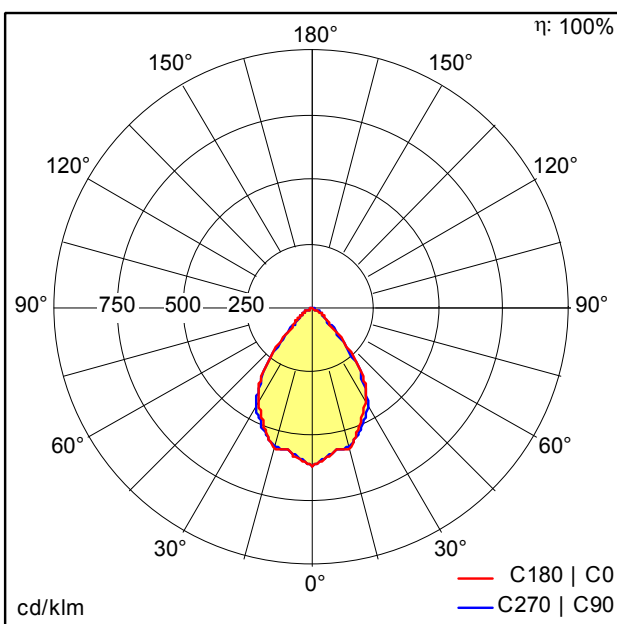
ZS_CRF_F_CRAFT_L.jpg



ZS_CRF_M_LED_L.wmf

Light Distribution

STD - standard



D34498AA_CRAFT_L_HT_LED20000-840_PC_WB.Idt

- Light Source: LED
- Luminaire luminous flux*: 20800 lm
- Luminaire efficacy*: 159 lm/W
- Colour Rendering Index min.: 80
- Ballast: 2 x 28002052 DRV TR LCI 100W 850mA 300V D #O4A PRE sl
- Correlated colour temperature: 4000 Kelvin
- Chromaticity tolerance (initial MacAdam): 3
- Rated median useful life*:
L85 50000h at -30°C
L85 50000h at 70°C
- Luminaire input power*: 131.1 W Power factor = 0.96
- Standby Power*: 0.6 W
- Dimming: LDO dimmable to 20% over DALI
- Maintenance category: E - Dust-proof IP5X

Please also consult the additional information on the next page

CRAFT L



ZUMTOBEL

CRAFT L HT LED20000-840 PC WB LDO WH

42183563

LED high-bay luminaire

All values marked with an * are rated values. Luminous flux and connected electrical load are subject to an initial tolerance of +/- 10%. Unless stated otherwise, the values apply to an ambient temperature of 25°C.
The level of luminous flux reduces over the life cycle due to technological reasons. The failure of up to 16 LED points causes no functional impairment and is therefore no reason for complaint.

We reserve the right to make technical changes without prior notice. 18.09.2020 © Zumtobel - 5-year guarantee in compliance with the terms of guarantee at www.zumtobel.com/guarantee