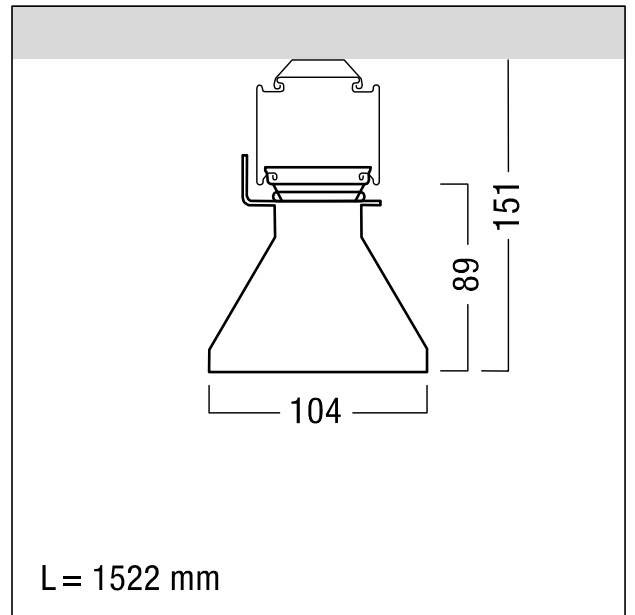


LED continuous-row luminaire

Linear, energy-efficient TECTON MPO LED continuous-row luminaire with 192 highly efficient mid-power LEDs per segment. Luminaire input power: 43 W, DALI controllable luminaire with LED converter, makes environmental and financial sense. LED service life lasts 50000 h before luminous flux is reduced to 90% of the initial value. Chromaticity tolerance (initial MacAdam): 3. Luminaire efficacy: 150 lm/W. Luminaire luminous flux: 6470 lm. Colour rendering Ra > 80, colour temperature 4000 K. Light guided via backlit multi-layer MPO micropyramidal optic for minimising perceived glare and UGR values. 12% indirect light for soft ceiling illumination. Co-extruded hollow-chamber profile with bonded end caps (shatter-resistant to IK06) achieve IP50 protection for LED and optic. All-in-one solution: Batten luminaire, lamp and reflector are combined in a single product. Dimming level for DC mode preset to 15 %. Base support of LED continuous-row luminaire of sheet steel, powder coated in polyester lacquer finish, white. 100% flexible, tool-free mechanical and electrical installation using CLIX-technology by means of two side-mounted rotary levers on the TECTON trunking. No ultraviolet or infrared radiation. ambient temperature: -20°C to +35°C. Luminaire wired with halogen-free leads, silicone-free. Note: please talk to your adviser if you are planning to use the luminaire in environments containing chemical pollutants. Dimensions: 1522 x 104 x 151 mm. Weight: 4 kg.



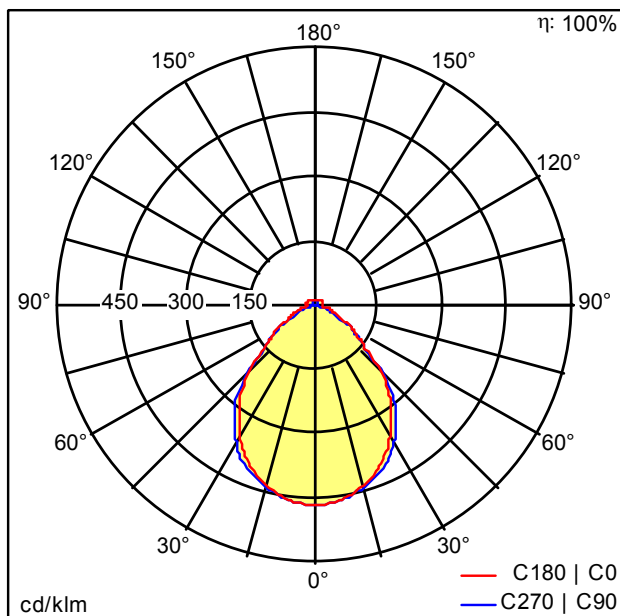
ZS_TEC_F_LED_MPO.jpg



ZS_TEC_M_C_LED_MPO.wmf

Light Distribution

STD - standard



D38870AA_TECTON_MPO_HE_LED6500-840_L1500_LDE.Idt

- Light Source: LED
- Luminaire luminous flux*: 6470 lm
- Luminaire efficacy*: 150 lm/W
- Colour Rendering Index min.: 80
- Ballast: 1 x 28000657 DRV TR LCA 75W 400mA 220V D #O4A Ip PRE
- Correlated colour temperature: 4000 Kelvin
- Chromaticity tolerance (initial MacAdam): 3
- Rated median useful life*: L90 50000h at 35°C
- Luminaire input power*: 43 W Power factor = 0.97
- Standby Power*: 0.15 W
- Dimming: LDE dimmable to 1% over DALI, DSI and switchDIM DC level is adjustable
- Maintenance category: D - Enclosed IP2X

All values marked with an * are rated values. Luminous flux and connected electrical load are subject to an initial tolerance of +/- 10%. Unless stated otherwise, the values apply to an ambient temperature of 25°C.