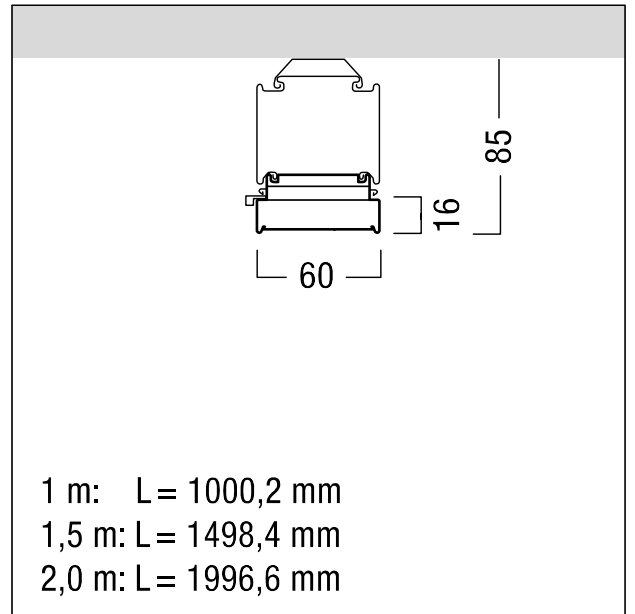


LED pendant luminaire

Linear, energy-efficient TECTON MIREL LED continuous row luminaire made of roll-formed sheet steel in polyester lacquer finish, white. Luminaire input power: 37.4 W, Slave luminaire for DALI control (DALI only) with LED converter. LED service life lasts 50000 h before luminous flux is reduced to 90% of the initial value. Chromaticity tolerance (initial MacAdam): 3. Luminaire efficacy: 148 lm/W. Luminaire luminous flux: 5550 lm. Colour rendering Ra > 80, colour temperature 4000 K. LED continuous row luminaire with 4 highly efficient mid-power LEDs per lens segment. Light is guided via the reflector- the lens combination creates a unique continuous row design with photometric benefits such as very low UGR values with minimum light emission surface. Lens reflector enables UGR <19 and luminance of <3000 cd/m². All-in-one solution: Batten luminaire, lamp and reflector are combined in a single product. Base support of LED continuous-row luminaire of sheet steel in polyester lacquer finish, white. 100% flexible, tool-free mechanical and electrical installation using CLIX-technology by means of two side-mounted rotary levers on the TECTON trunking. No ultraviolet or infrared radiation. Impact strength: IK03. ambient temperature: -20°C to +30°C. Luminaire wired with halogen-free leads. Dimensions: 1498 x 60 x 85 mm weight: 2.2 kg



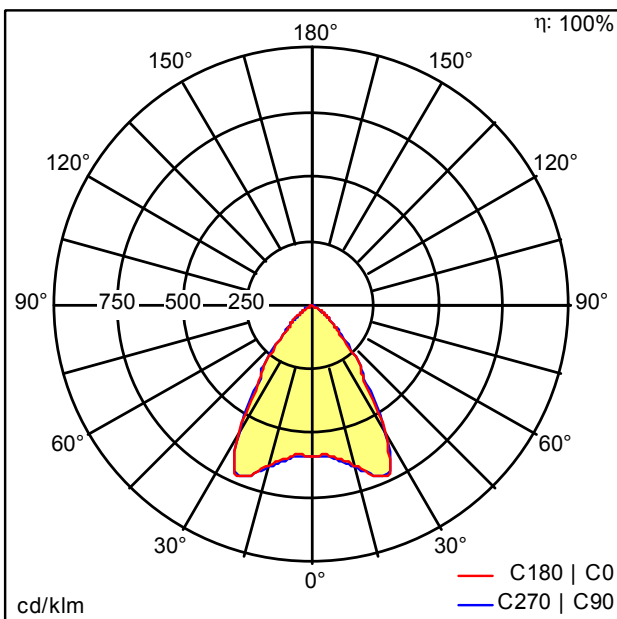
ZS_TEC_F_LED_mirel_Balken_wh.jpg



ZS_TEC_M_C_MEL_LED_Balken.wmf

Light Distribution

STD - standard



D38477AA_TECTON_MIRL_LED5500-840_L1500_LDO.idt

- Light Source: LED
- Luminaire luminous flux*: 5550 lm
- Luminaire efficacy*: 148 lm/W
- Colour Rendering Index min.: 80
- Ballast: 1 x 28000657 DRV TR LCA 75W 400mA 220V D #O4A Ip PRE
- Correlated colour temperature: 4000 Kelvin
- Chromaticity tolerance (initial MacAdam): 3
- Rated median useful life*: L90 50000h at 25°C
- Luminaire input power*: 37.4 W Power factor = 0.97
- Standby Power*: 0.15 W
- Dimming: LDO dimmable to 1% over DALI
- Maintenance category: D - Enclosed IP2X

All values marked with an * are rated values. Luminous flux and connected electrical load are subject to an initial tolerance of +/- 10%. Unless stated otherwise, the values apply to an ambient temperature of 25°C.