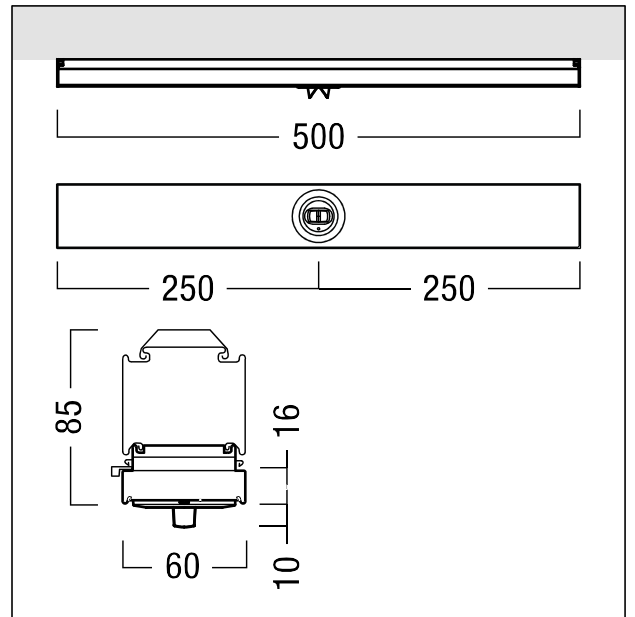


Safety luminaire

LED emergency luminaire for antipanic lighting with min. 0,5 lux acc. to EN 1838; Room height 2.2 to 7 m; 2 high power LEDs, neutral white 4,000 K; lens made of polycarbonate; optimum thermal management via heat sink; TECTON module; Tool-free connection to TECTON continuous row system; roll-formed sheet steel with polyester paint finish; housing colour white (close to RAL9016); Luminaire with local battery supply for 3 h emergency lighting in maintained or non-maintained mode, with automatic test (auto-test) via the luminaire, optional central monitoring via DALI, display of luminaire status via status LED; NFC interface for addressing, configuration and maintenance via PROset Pen (article no.: 22170290) or PROset app; addressing also alternatively possible visually or via EZ-addressing; Maintained and non-maintained mode: +5 °C to +30 °C; power supply: 220-240 V AC (+/- 10 %), 50-60 Hz; Luminaire input power: 4.7 W (with battery fast-charging in maintained mode), typical connected load (without battery charging): 3.2 W in maintained mode / 1.1 W in non-maintained mode; Non-maintained and maintained mode settable via jumper and NFC interface; IP20; SC1; Luminaire wired with halogen-free and silicone-free leads; Impact strength: IK04; Dimensions: 500 x 60 x 85 mm; weight: 0.88 kg; Robust, integrated battery with 3-year warranty. Valid according to terms of the manufacturer's warranty, available at https://www.zumtobel.com/media/downloads/Garantiebedingungen_EN.pdf; Battery warranty invalid if installation takes place three (3) months after delivery EXW (Incoterms 2010)



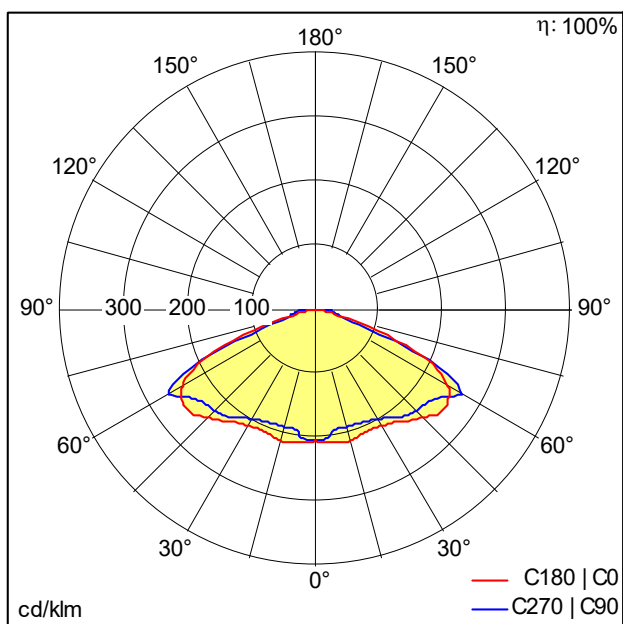
ZS_RES_F_PRO_TEC-GP_ExD_ANT_WH.jpg



ZS_RES_M_PRO_TEC-GP_ExD.wmf

Light Distribution

STD - standard



D43617_RESC_PRO_TEC-GP_ANT_E3D_WH.Idt

- Light Source: LED
- Luminaire luminous flux*: 207 lm
- Total emergency luminous flux: 207 lm
- Luminaire efficacy*: 44 lm/W
- Colour Rendering Index min.: 70
- Ballast: 1 x 89800524 EM powerLED NTx 102 DIM 5W ZUM
- Chromaticity tolerance (initial MacAdam): 5
- Rated median useful life*: L95 100000 h at 25 °C
- Luminaire input power*: 4.7 W Power factor = 0.7
- Standby Power*: 1.2 W
- Charging power: 1.25 W
- Service life rating: 3 h
- Maintenance category CIE 97: D - Enclosed IP2X

This product contains a light source of energy efficiency class D.

Please also consult the additional information on the next page

RESCLITE PRO TEC-GP TECTON continuous row system IP20



ZUMTOBEL

RESCLITE PRO TEC-GP ANT E3D WH

42185793

Safety luminaire

All values marked with an * are rated values. Connected electrical load and luminous flux are subject to an initial tolerance of +/- 10%, the most similar colour temperature is subject to an initial tolerance of +/- 150K. Unless stated otherwise, the values apply to an ambient temperature of 25°C.

We reserve the right to make technical changes without prior notice. 02.06.2025 © Zumtobel - 5-year guarantee in compliance with the terms of guarantee at www.zumtobel.com/guarantee