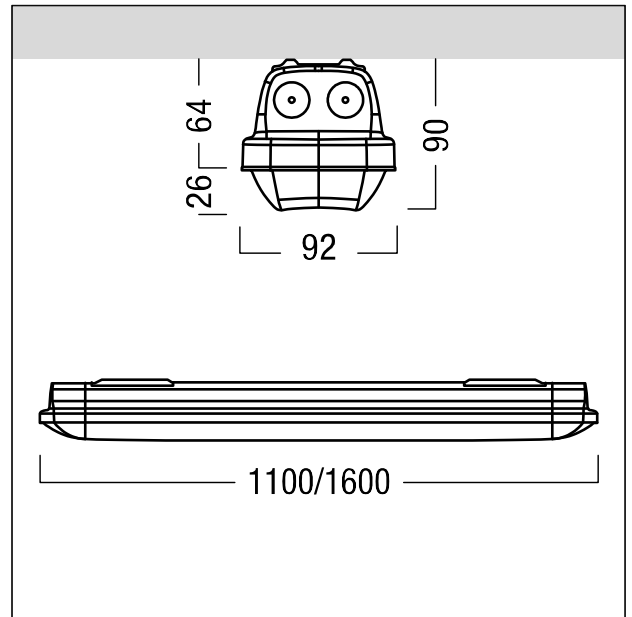


Moisture-proof diffuser luminaire

LED Moisture-proof diffuser luminaire with IP66 protection rating and drip-edge effect for minimizing dirt and collection of dust for maximum hygienic requirements. Luminaire input power: 39.1 W, with dimmable constant current LED driver, especially suitable for industrial applications in adverse surroundings such as cold store halls and factories with increased ambient temperatures; patented InvisiClick for clipless mounting and opening of the cover. Cover and basic diffuser made of impact-resistant polycarbonate, temperature- and UV-resistant, made as a single injection-molded piece. LED service life lasts 100000 h before luminous flux is reduced to 95% of the initial value. Chromaticity tolerance (initial MacAdam): 3. Luminaire luminous flux: 6260 lm, Luminaire efficacy: 160 lm/W. Colour rendering Ra > 80, colour temperature 4000 K. Luminaire with symmetric wide light distribution (wide beam). High quality direct/indirect lighting concept for optimum lighting solutions in parking garages and industrial applications. Mounting via V2A standard spring clips to ceilings, walls or trunking. 5-pole connector terminal. ambient temperature: -40°C to +44°C. Approved for indoor use with vertical or horizontal wall mounting (see installation instructions). Note: please contact your consultant if you are planning to use the luminaire in environments with chemical pollutants, high or condensing humidity and major variations in temperature. Complies with International Food Standard specifications. Designed for BESA box. Permissible for use in environments where the deposition of conductive dust on the luminaire can be expected (EN 60598-2-24). Protection class: SC1, 850 °C glow-wire tested. Luminaire wired with halogen-free leads, silicone-free, Impact strength: IK08, Dimensions: 1600 x 92 x 90 mm; weight: 3.21 kg.



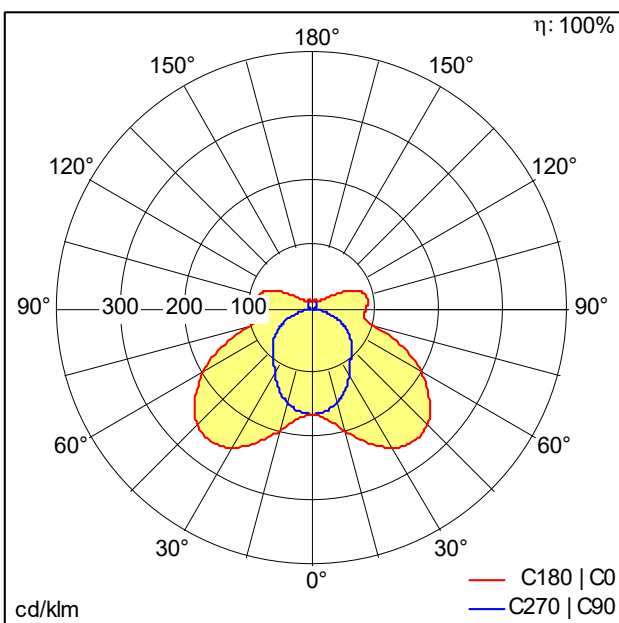
ZS_AMP_F_AMPHIBIA_WB.jpg



ZS_AMP_M_Amphibia.wmf

Light Distribution

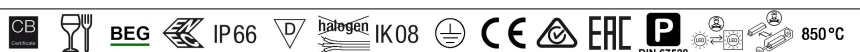
STD - standard



D45907_AMP_L_LT_6400-840_PC_WB_IVG.Idt

- Light Source: LED
- Luminaire luminous flux*: 6260 lm
- Luminaire efficacy*: 160 lm/W
- Colour Rendering Index min.: 80
- Ballast: 1 x 28004034 LCI 75/125-550/300 o4a NF h28 EXC4
- Correlated colour temperature*: 4000 Kelvin
- Chromaticity tolerance (initial MacAdam): 3
- Rated median useful life*: L95 100000 h at 44 °C
- Luminaire input power*: 39.1 W Power factor = 0.95
- Standby Power*: 0.2 W
- Maintenance category CIE 97: E - Dust-proof IP5X
- Total harmonic distortion (THD): 9.83 %

Please also consult the additional information on the next page





Moisture-proof diffuser luminaire

This product contains a light source of energy efficiency class C.