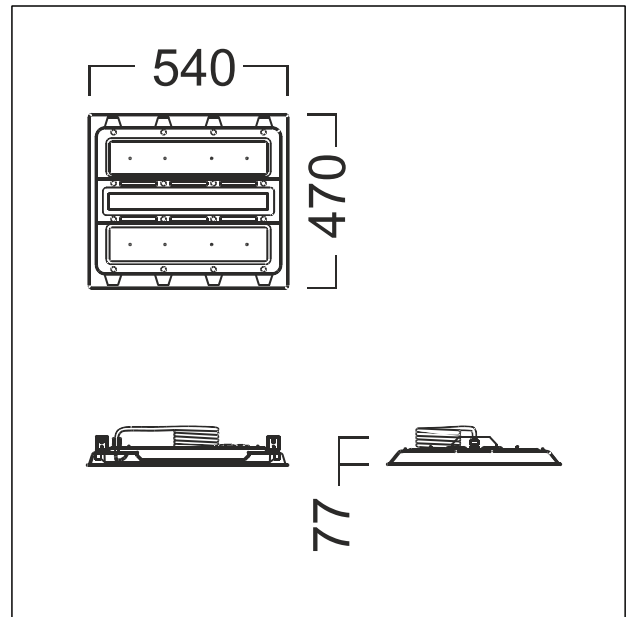


## LED high-bay luminaire

LED high-bay luminaire Luminaire input power: 83.3 W, including LED converter, Slave luminaire for DALI control (DALI only), housing made of extra-robust, deep-drawn sheet steel, powder coated in colour white. Cover of clear polymethyl methacrylate (PM) with high breaking strength and optimised stress crack resistance, especially resistant to oils, alkalis, ammonia and UV radiation. LED service life lasts 100000 h before luminous flux is reduced to 85% of the initial value. Chromaticity tolerance (initial MacAdam): 2. Luminaire luminous flux: 12840 lm, Luminaire efficacy: 154 lm/W Colour rendering Ra > 80, colour temperature 4000 K. glare-free lighting: UGR < 22 (EN 12464:2011). Sealed optical lens system. Lenses with diagonal dome structure for maximum efficiency Luminaire with symmetric wide light distribution (wide beam). Pre-assembled 2m long 5 x 1 mm<sup>2</sup> connection cable for very high continuous temperatures (halogen-free, flame-retardant). Vibration resistant (EN 60598-1:2015 / IEC 60598-1:2017 Ed. 8.1). LED risk group RG0 (IEC/EN 62471), luminaire wired with halogen-free leads, silicone-free. Note: please contact your consultant if you are planning to use in ambient atmospheres with chemical load, high or condensed air humidity or large temperature fluctuations. Protection class: SC1; degree of protection: IP66; ambient temperature: -10°C to +55°C; Dimensions: 540 x 470 x 77 mm. Weight: 4.9 kg.



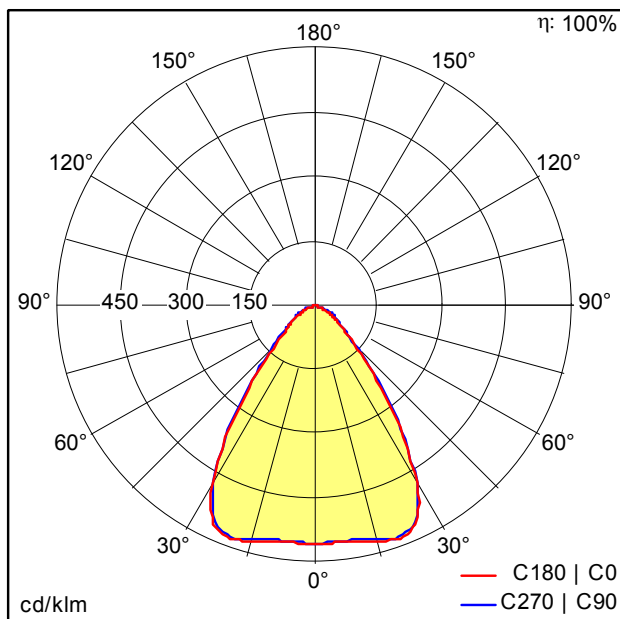
ZS\_CR2\_F\_CRAFT2\_performance\_M\_WH.jpg



ZS\_CR2\_M\_CRAFT2\_performance\_M.wmf

## Light Distribution

## STD - standard



D43087AA\_CR2\_M13k-840\_PM\_WB\_LDO\_WH.Idt

- Light Source: LED
- Luminaire luminous flux\*: 12840 lm
- Luminaire efficacy\*: 154 lm/W
- Colour Rendering Index min.: 80
- Ballast: 1 x 28003670 LCI 150/325-1050/300 o4a sl PRE Z
- Correlated colour temperature: 4000 Kelvin
- Chromaticity tolerance (initial MacAdam): 2
- Rated median useful life\*:
  - L85 100000h at 25°C
  - L80 100000h at 55°C
  - L90 50000h at 25°C
- Luminaire input power\*: 83.3 W Power factor = 0.97
- Dimming: LDO
- Maintenance category: E - Dust-proof IP5X
- Total harmonic distortion (THD): 10.34 %

This product contains a light source of energy efficiency class D.

All values marked with an \* are rated values. Luminous flux and connected electrical load are subject to an initial tolerance of +/- 10%. Unless stated otherwise, the values apply to an ambient temperature of 25°C.