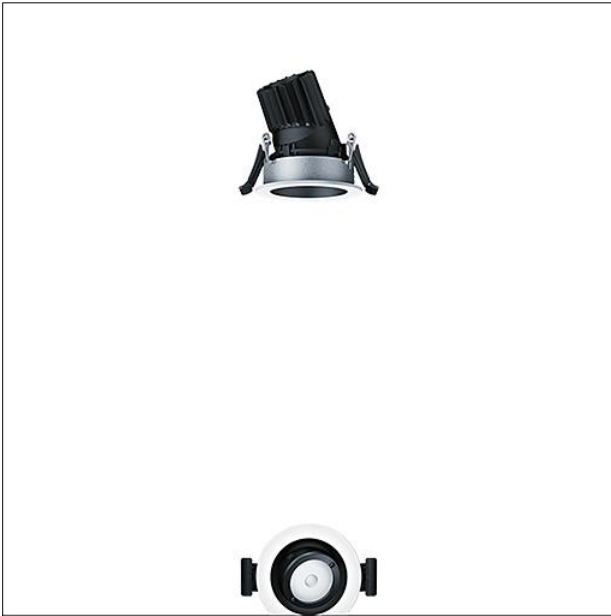
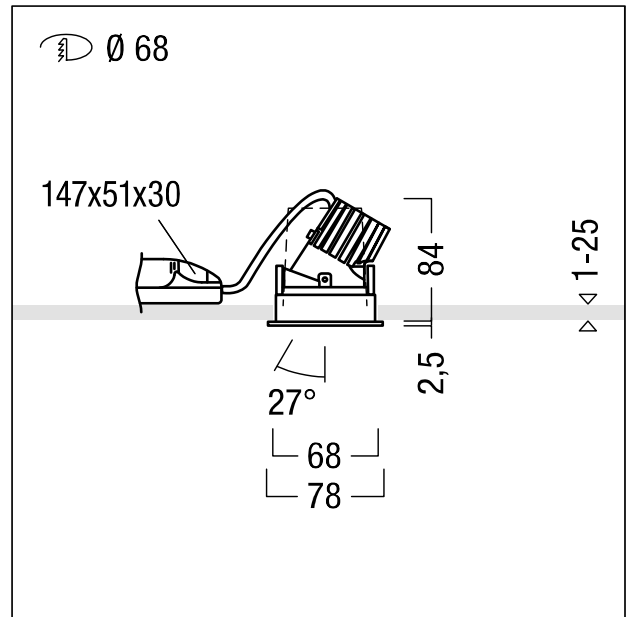


LED ceiling-recessed luminaire

LED ceiling-recessed luminaire (complete luminaire, adjustable), with innovative lens technology; with lens system for high-quality flexible accent lighting; tool-free, intuitive setting of light cone with switched-on luminaire, light cone rotates through 355° and can be tilted up to 27°; with optimised uniform light distribution with high intensity and soft transitions, with reduced stray light from the light cone; lamp(s): 10 W LED940, FLOOD distribution characteristic; reflector: smooth, coated black (30 °); Colour rendering Ra > 90, colour temperature 4000 K (neutral white); Chromaticity tolerance (initial MacAdam): 3; Luminaire luminous flux: 525 lm, Luminaire efficacy: 54 lm/W; service life: 50000h at 85% luminous flux; includes separate control unit, Slave luminaire for DALI control (DALI only); high quality optic unit of LED PCB, glass lens and film integrated in optimised thermal management of die-cast aluminium; secondary optic/trim is one unit made of high-quality, UV-resistant polycarbonate; cover ring white; mounting ring of die-cast aluminium; degree of protection IP23: (when installed in closed ceilings; luminaire unit can be fitted quickly without tools using EASY-CLICK catch; luminaire wired with halogen-free leads; power connection: 5-pole connector terminal; mains voltage: 220-240 V / 0/50/60 Hz ; installation: tool-free quick installation using antislip spring clips in ceilings of thickness 1-25mm; ceiling cutout: 68mm, recess depth: 103mm; weight: 0.32 kg



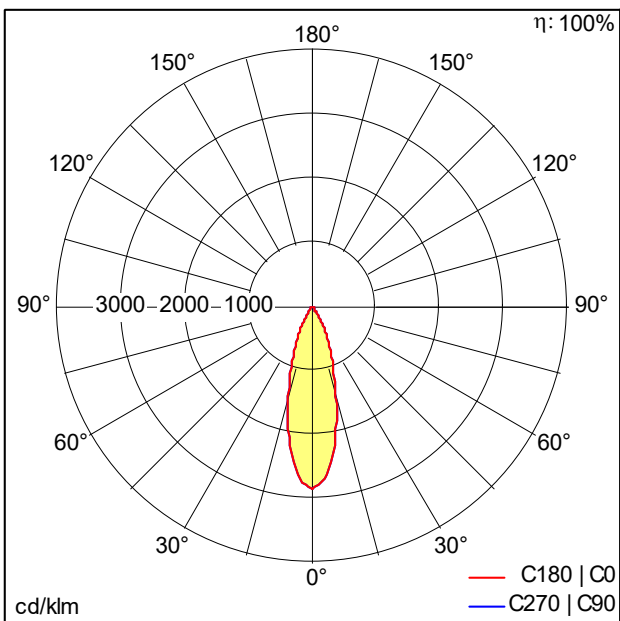
ZS_PA1_F_R68_WH_geschwenkt.jpg



ZS_PA1_M_R68_LED_WH.wmf

Light Distribution

STD - standard



ST8453.ltd

- Light Source: LED
- Luminaire luminous flux*: 525 lm
- Luminaire efficacy*: 54 lm/W
- Colour Rendering Index min.: 90
- Ballast: 1 x 06892181 DRV OS OTDA 18W 1.05A 54V D#1A0 LT2 CSL
- Correlated colour temperature*: 4000 Kelvin
- Chromaticity tolerance (initial MacAdam): 3
- Rated median useful life*: L85 50000 h at 25 °C
- Luminaire input power*: 9.7 W Power factor = 0.84
- Standby Power*: 0.2 W
- Dimming: LDO dimmable to 1% over DALI
- Maintenance category CIE 97: C - Closed Top Reflector

This product contains a light source of energy efficiency class F.

All values marked with an * are rated values. Connected electrical load and luminous flux are subject to an initial tolerance of +/- 10%, the most similar colour temperature is subject to an initial tolerance of +/- 150K. Unless stated otherwise, the values apply to an ambient temperature of 25°C.

