

LED Fit

THORN

96628332 LEDFIT S 45W A/S CL1 L840



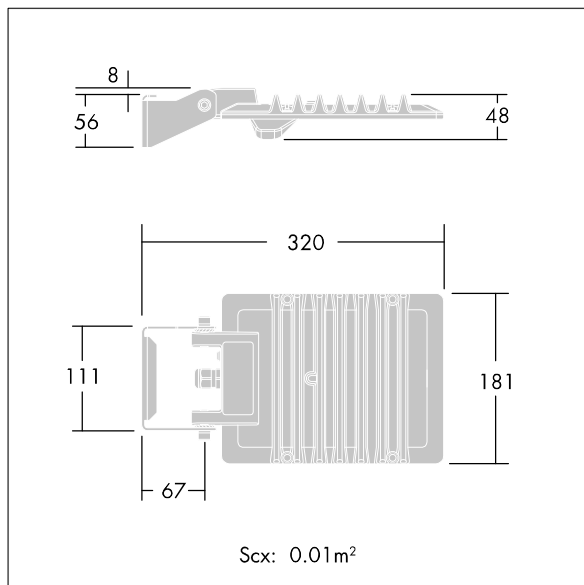
LED Fit

A simple, ultra lightweight, small LED area floodlight with true asymmetric optic. Integral fixed output control gear. Class I electrical, IP66, Impact strength: IK07. Body: die-cast aluminium Light grey 150 sanded textured (close to RAL9006). Stirrup: aluminium. Visor: polycarbonate with external surface powder coated Light grey 150 sanded textured (close to RAL9006). Pre-wired with 0.6m cable. Stirrup can be fixed by one M10 and/or two M8 fixation points, it is reversible allowing different mounting positions. Complete with 4000K LED.

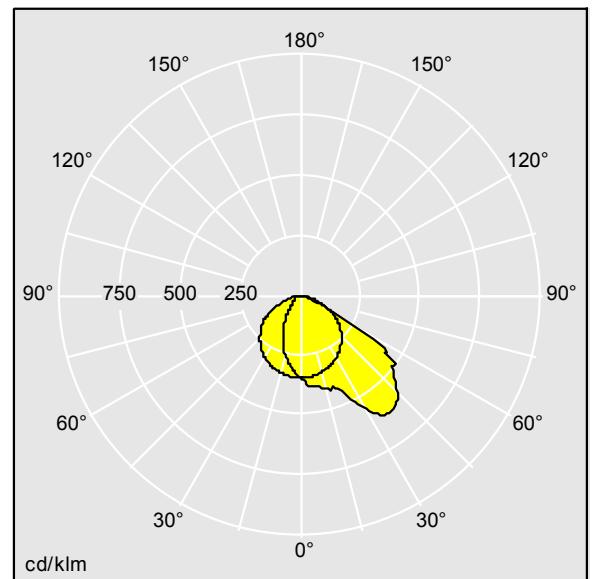
Dimensions: 181 x 236 x 48 mm
Luminaire input power: 45 W
Luminaire luminous flux: 4500 lm
Luminaire efficacy: 100 lm/W
weight: 1.7 kg



TLG_LEDF_F_SPDB.jpg



TLG_LEDF_M_45W.wmf



TLLA_LFITS45WAS4K_DC.ltd

Lamp position: STD - standard
Light Source: LED
Luminaire luminous flux*: 4500 lm
Luminaire efficacy*: 100 lm/W
Colour Rendering Index min.: 80
Ballast: 1 x 89602623 QLE AC G1 170x144mm
5300lm 840 ADV THO

Correlated colour temperature: 4000 Kelvin
Chromaticity tolerance (initial MacAdam): 7
Rated median useful life*:
L70 50000h at 25°C
Luminaire input power*: 45 W Power factor = 0.94
Dimming: FO
LOR: 1,00 ULOR: 0,00 DLOR: 1,00

All values marked with an * are rated values. Thorn uses tried and tested components from leading suppliers, however there may be isolated instances of technology-related failures of individual LEDs during the rated product lifetime. International standards set the tolerance in initial flux and connected load at ±10%. Unless stated otherwise, the values apply to an ambient temperature of 25°C.

Thorn Lighting is constantly developing and improving its products. The right is reserved to change specifications without prior notification or public announcement.
© Thorn Lighting