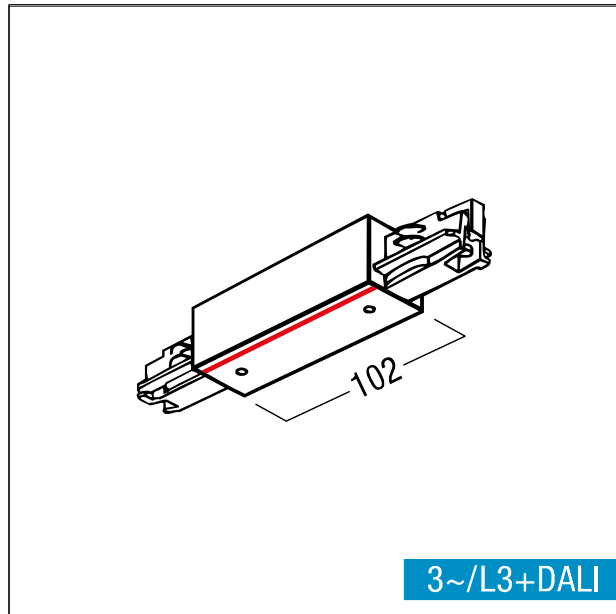


central feed

Central feed, black; protective conductor right; plastic components made of polycarbonate; cable entry laterally from rear of track; maximum current load: 16A per circuit; mounting dimensions: 102x33x33 mm; total dimensions: 187x33x33 mm



ZS_ST_S_F_Mitteleinspeisung.jpg



ZS_ST_S_M_Mitteleinspeisung_L3.wmf

All values marked with an * are rated values. Unless stated otherwise, the values apply to an ambient temperature of 25°C.