
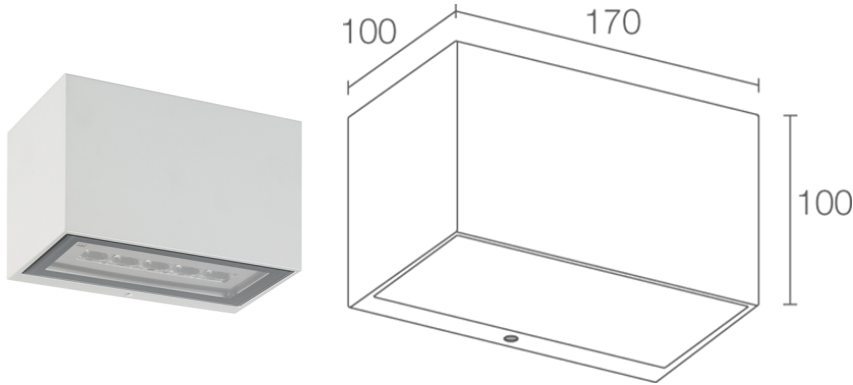


Made in Italy

 **Geko 6.1, code: GK61105KE**  
Wall mounted for outdoor applications

14/04/2025 Rev. 11/2024



## DESCRIPTION

wall mounted for outdoor applications, double beam; surface mounted (wall); Power consumption: 20W; Power supply: 230Vac; Lumen output at source: 1454 lm (3000K); Delivered lumen output: 1070 lm (3000K, 30°); 10 power LEDs, 1/4 ANSI BIN, 50 000h L90 B10 (Ta 25°C); LED colour: 3000K; Optics: 70°; CRI Colour Rendering Index: 80; Body material: body in die-cast aluminium; Finishes: white (RAL 9003); RAL finish on request; Screen material: screen in serigraphed, transparent and tempered extra-clear glass; built-in power supply unit; connection box with 0.30 m cable; Ingress protection: IP65; Impact resistance: IK07; spacer with RAL finish available on request; Protection systems: The PID (Protective Impedance Device) protects lighting fixtures from electrical phenomena external to the system, such as static electricity accumulation or electromagnetic interference coming from the mains power. Generally, these are events with a low energy content; Operating temperature: -20°C — +45°C; Glow wire test: 960°C; Photobiological safety: photobiological safety: risk group 1 according to EN 62471:2006; Appliance class: class I; Weight: 2200 g; Dimensions: 170x100x100 mm; Energy efficiency class: F (light source) in accordance with EU 2019/2015; Accessories: WD0300E Spacer - white; tested and approved via E.O.L. (End Of Line) test with functioning test and check of electrical power consumption

Status: Available

### ELECTRICAL CHARACTERISTICS

|                   |                            |
|-------------------|----------------------------|
| Power consumption | 20W                        |
| Power supply      | 230Vac                     |
| Power supply unit | built-in power supply unit |

### LIGHTING CHARACTERISTICS

|                            |                           |
|----------------------------|---------------------------|
| Number and type of LED     | 10 power LEDs             |
| Average LED life           | 50 000h L90 B10 (Ta 25°C) |
| LED colour                 | 3000K                     |
| CRI Colour Rendering Index | 80                        |
| Binning                    | 1/4 ANSI BIN              |
| Optics                     | 70°                       |
| Lumen output at source     | 1454 lm (3000K)           |
| Delivered lumen output     | 1070 lm (3000K, 30°)      |

### MECHANICAL CHARACTERISTICS

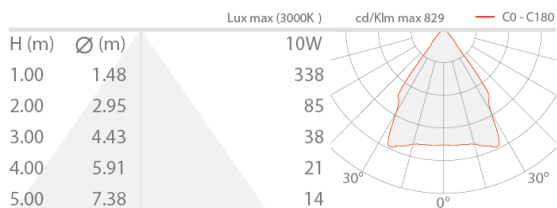
|                 |  |
|-----------------|--|
| Dimensions      | 170x100x100 mm   |
| Weight          | 2200 g   |
| Finishes        | white RAL 9003   |
| Mounting        | with mounting plate, screws and plugs                          |
| Body material   | body in die-cast aluminium                                     |
| Screen material | screen in serigraphed, transparent, tempered extra-clear glass |

### GENERAL CHARACTERISTICS

|                         |   |
|-------------------------|---|
| Ingress protection      | IP65  |
| Operating temperature   | -20°C — +45°C   |
| Impact resistance       | IK07  |
| Energy efficiency class | F (light source) in accordance with EU 2019/2015                |
| Glow wire test          | 960°C   |
| Appliance class         | class I   |
| Walkover                | no  |
| Drive-over              | no  |
| Power cables            | connection box with 0.30 m cable                                |
| Protection systems      | PID (Protective Impedance Device)                               |
| Photobiological safety  | photobiological safety: risk group 1 according to EN 62471:2006 |
| Notes                   | spacer with RAL finish available on request                     |

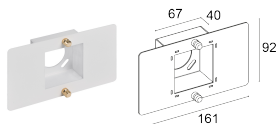
## PHOTOMETRIC DATA

K - 70°

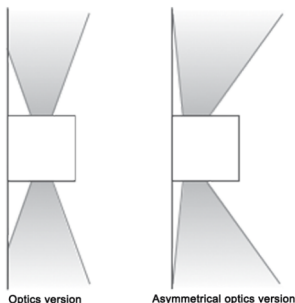


## ACCESSORIES

### Installation Accessories



WD0300E  
Spacer - white



L&L Luce&Light SRL reserves the right to change the information contained in this document at any time without prior notice being given.