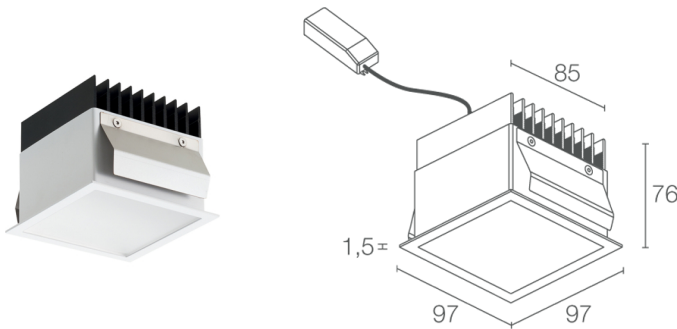
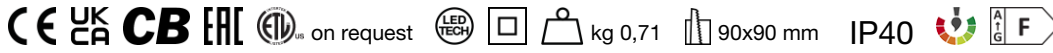


Made in Italy

- **Turis 3.0, code: TU30109DN**
Recessed for indoor applications

26/06/2025 Rev. 12/2024



DESCRIPTION

recessed downlight for indoor applications; recessed (ceiling); Power consumption: 15W; Power supply: 230Vac; Lumen output at source: 1870 lm (3000K, 15W); Delivered lumen output: 1463 lm (3000K, 15W); 6 power LEDs, 3-step MacAdam, 50 000h L80 B10 (Ta 25°C); LED colour: 4000K; Optics: diffuse; CRI Colour Rendering Index: >90; Body material: body in black-anodized aluminium, trim in steel; Finishes: black (RAL 9005); RAL finish on request; Screen material: screen in one-side-frosted, transparent plexiglass; Thickness of installation surface: min 5 mm, max 25 mm; power supply unit included; includes 0.30 m cable; Control system: ON/OFF; Ingress protection: IP40; Operating temperature: 0°C — +45°C; Photobiological safety: photobiological safety: risk group 1 according to EN 62471:2006; Appliance class: class II; Weight: 710 g; Dimensions: 97x97x76 mm; Cutout dimensions: 90x90 mm; Volume of thermal heatsink: 170x170x130 mm; Energy efficiency class: F (light source) in accordance with EU 2019/2015; Accessories: WC3103 Outer casing for solid walls; tested and approved via E.O.L. (End Of Line) test with functioning test and check of electrical power consumption

Status: Available

ELECTRICAL CHARACTERISTICS

Power consumption	15W
Power supply	230Vac
Power supply unit	power supply unit included
Control system	ON/OFF

LIGHTING CHARACTERISTICS

Number and type of LED	6 power LEDs
Average LED life	50 000h L80 B10 (Ta 25°C)
LED colour	4000K
CRI Colour Rendering Index	>90
Binning	3-step MacAdam
Optics	diffuse
Lumen output at source	1870 lm (3000K, 15W)
Delivered lumen output	1463 lm (3000K, 15W)

MECHANICAL CHARACTERISTICS

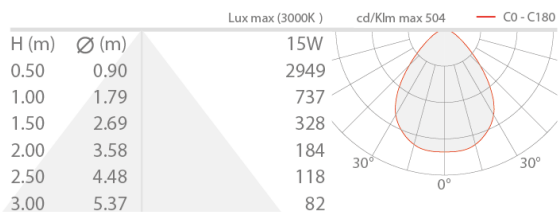
Dimensions	97x97x76 mm
Weight	710 g
Finishes	black RAL 9005
Mounting	with fixing springs
Body material	body in black-anodized aluminium, trim in steel
Screen material	screen in one-side-frosted, transparent plexiglass
Cutout dimensions	90x90 mm
Volume of thermal heatsink	170x170x130 mm

GENERAL CHARACTERISTICS

Ingress protection	IP40
Operating temperature	0°C — +45°C
Energy efficiency class	F (light source) in accordance with EU 2019/2015
Appliance class	class II
Walkover	no
Drive-over	no
Power cables	includes 0.30 m cable
Photobiological safety	photobiological safety: risk group 1 according to EN 62471:2006

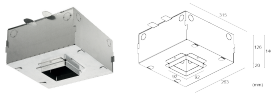
PHOTOMETRIC DATA

D – Diffuse



ACCESSORIES

Installation Accessories



WC3103

Outer casing for solid walls

L&L Luce&Light SRL reserves the right to change the information contained in this document at any time without prior notice being given.