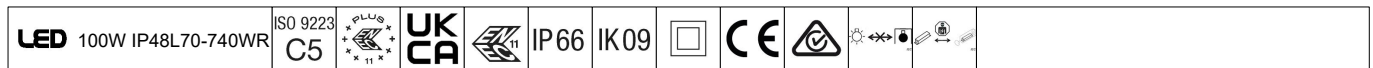


Isaro Pro

THORN

92904729 IP 48L70-740 WR M BS 3550 CL2 M60 ANT



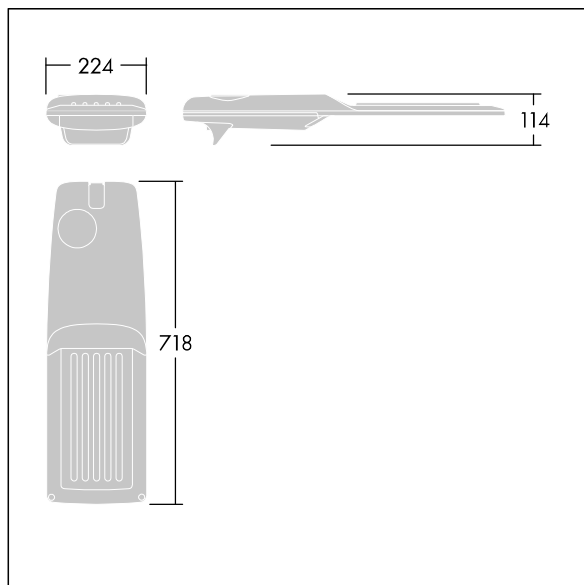
Isaro Pro

A state of the art LED road lighting lantern (medium) with 48 LEDs driven at 700mA with Wide Road optic. Programmable LED driver. Class II electrical, IP66, IK09. Housing: Die-cast aluminium (EN AC-44300), powder coated textured anthracite (close to RAL7043). Spigot: Die-cast aluminium (EN AC-44300), powder coated textured anthracite (close to RAL7043). Enclosure: 5mm thick glass. Fixings: stainless steel. Supplied with Ø60mm spigot adaptor which can be fitted for post-top (0°/5°/10°/15°/20° tilt) or side-entry (-15°/-10°/-5°/0°/5°/10°/15° tilt). Equipped with 50% power reduction circuit, effective 3 hours before and 5 hours after a calculated midnight. It can be deactivated at installation with an easily accessible internal switch. Complete with 4000K LED. Surge protection: 10kV single pulse common mode and 8kV multipulse common mode and 6kV multipulse differential mode. If permanent DALI system is connected, 6kV multipulse common and differential mode.

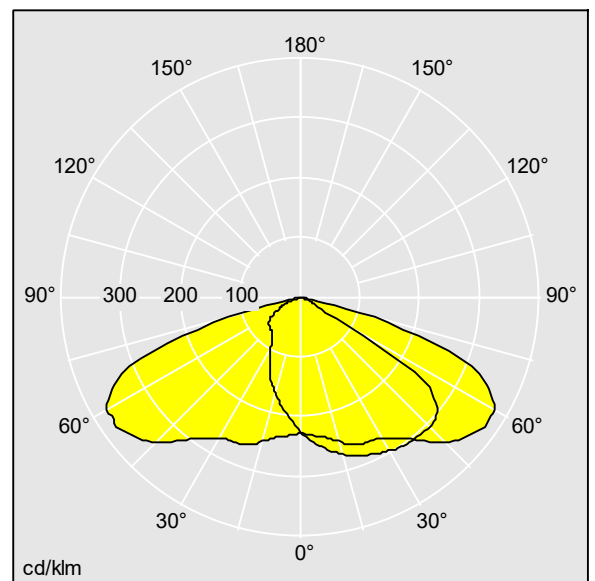
Dimensions: 718 x 224 x 114 mm
Luminaire input power: 100 W
Luminaire luminous flux: 15707 lm
Luminaire efficacy: 157 lm/W
Weight: 7.4 kg
Scx: 0.066 m²



TLG_ISRP_F_M_PDB_ANT.jpg



TLG_ISRP_M_LD2.wmf



TL_IP48L70WR740.lid

Lamp position: STD - standard
Light Source: LED
Luminaire luminous flux*: 15707 lm
Luminaire efficacy*: 157 lm/W
Colour Rendering Index min.: 70
Ballast: 1 x 28003163 LCO 135/200-1050/ 220 o4a NF C EXC3

Correlated colour temperature*: 4000 Kelvin
Chromaticity tolerance (initial MacAdam): 5
Rated useful life (B10)*:
L98 100000 h at 25 °C
Luminaire input power*: 100 W Power factor = 0.97
Control: PROG
LOR: 1,00 ULOR: 0,00 DLOR: 1,00

This product contains a light source of energy efficiency class D.

All values marked with an * are rated values. Thorn uses tried and tested components from leading suppliers, however there may be isolated instances of technology-related failures of individual LEDs during the rated product lifetime. International standards set the tolerance in initial flux and connected load at ±10%. Unless stated otherwise, the values apply to an ambient temperature of 25°C. Risk group

Thorn Lighting is constantly developing and improving its products. The right is reserved to change specifications without prior notification or public announcement.
© Thorn Lighting