

96629020 <CHAL 200 LED1400-840 HF RSB

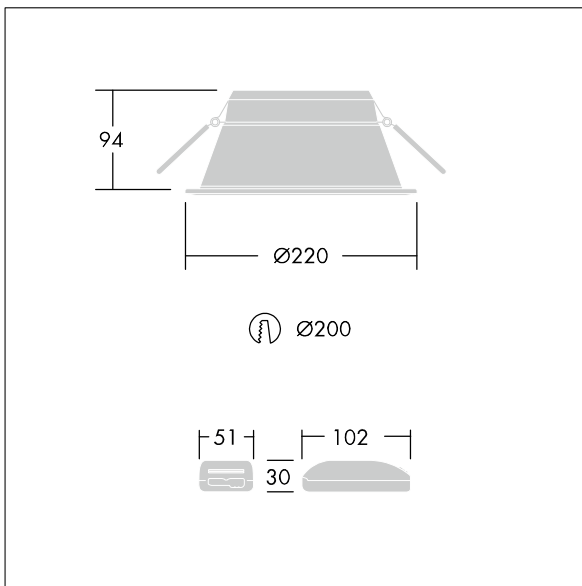


A recessed LED downlight. Remote fixed output control gear. IP54 (IP20 from above), Class II electrical. Body: aluminium, painted white (RAL 9016). Reflector: satinbrite. Suitable for mounting in ceiling thicknesses of 1-40mm in a Ø200mm cut-out. Complete with 4000K LED.

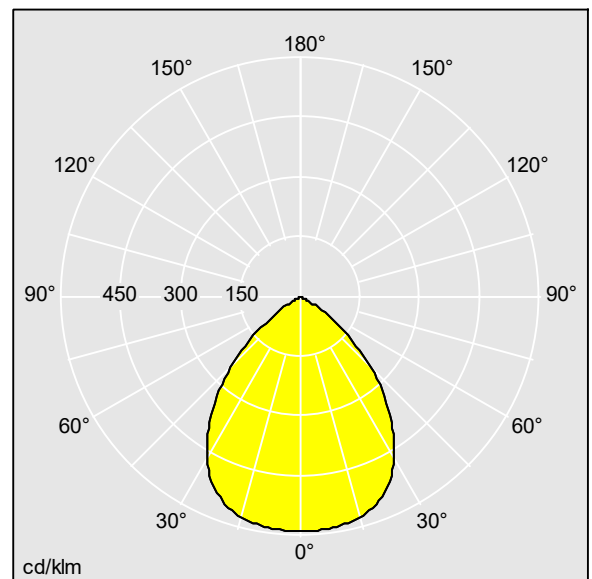
Dimensions: Ø220 x 94 mm
 Luminaire input power: 13.2 W
 Luminaire luminous flux: 1440 lm
 Luminaire efficacy: 109 lm/W
 Weight: 0.91 kg



TLG_CHLC_F_PDB.jpg



TLG_CHLC_M_200MB.wmf



TLG_SP_0042143.lid

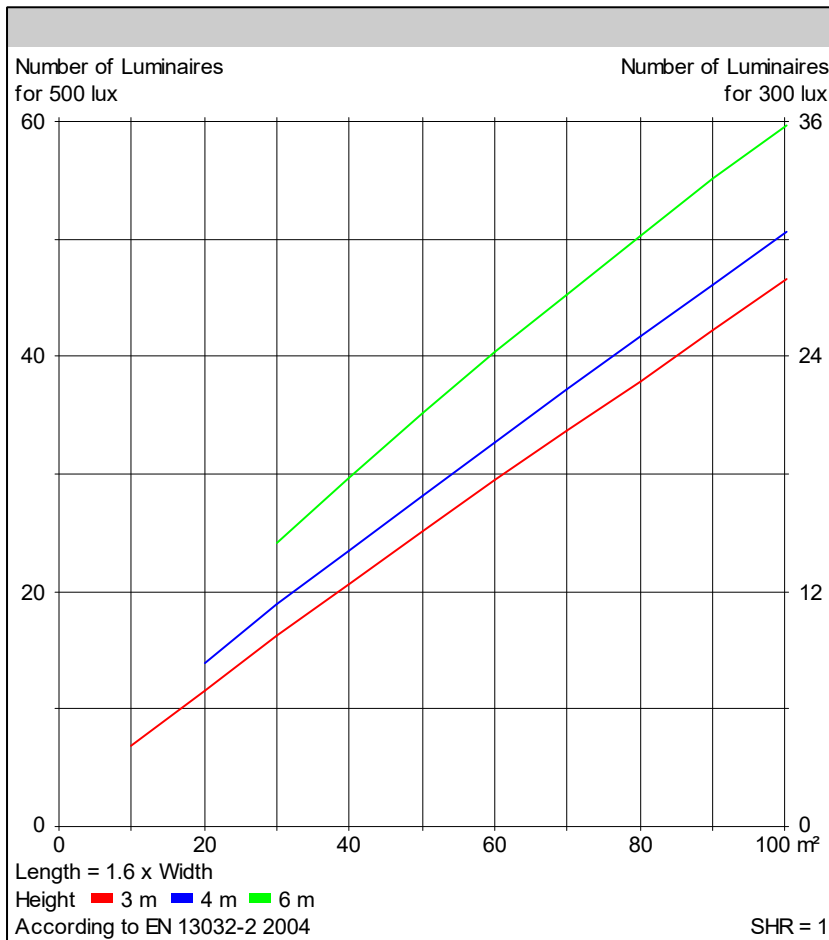
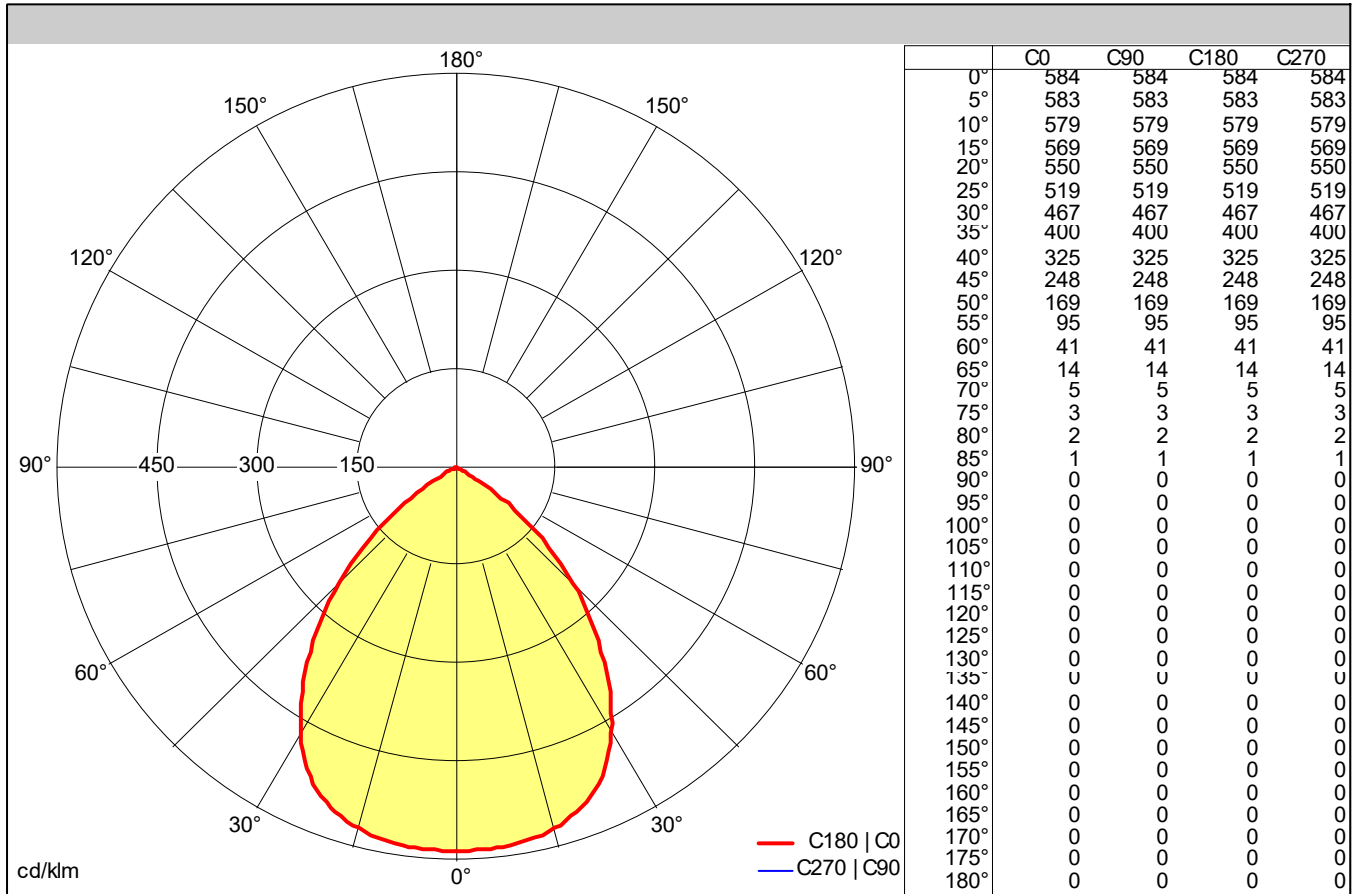
Lamp position: STD - standard
 Light Source: LED
 Luminaire luminous flux*: 1440 lm
 Luminaire efficacy*: 109 lm/W
 Colour Rendering Index min.: 80
 Ballast: 1 x 00154561 DRV FP LC 20W 500mA 40V
 F #FY-5914-1 CSR
 LOR: 1,00 ULOR: 0,00 DLOR: 1,00

Correlated colour temperature*: 4000 Kelvin
 Chromaticity tolerance (initial MacAdam): 3
 Rated median useful life*:
 L80 50000 h at 25 °C
 Luminaire input power*: 13.2 W Power factor = 0.95
 Dimming: FO
 Maintenance category CIE 97: C - Closed Top
 Reflector

This product contains a light source of energy efficiency class D.

All values marked with an * are rated values. Thorn uses tried and tested components from leading suppliers, however there may be isolated instances of technology-related failures of individual LEDs during the rated product lifetime. International standards set the tolerance in initial flux and connected load at ±10%. Unless stated otherwise, the values apply to an ambient temperature of 25°C. Risk group

96629020 <CHAL 200 LED1400-840 HF RSB



Light output ratio	
LOR	100 %
ULOR	0 %
DLOR	100 %
FFR	0.00 (0:100)
BLF	1.00

Glare Evaluation	
X = 4 H, Y = 8 H	S = 0.25 H
Reflection factors	70/50/20
UGR transversal	<19
UGR axial	<19

Classification	
LITG	A60
EN	65° < 3000cd/m²
BZ	BZ1
UTE	1.00 B
CIE Flux Codes	73 98 100 100 100

Photometric data file: TLG_SP_0042143.ltd