

Emergency luminaire

LED safety luminaire for toolfree mounting on Thorn Contus track system. Optics rotatable and fixable in 45° steps. Supplied with a set of changeable optics ESC (escape route), ANT (antipanic) and HC (high ceiling).

Housing made of polycarbonate (PC) white.

Quick fit terminal block, through wiring possible up to 2,5 mm².

Self contained luminaire with integrated LiFePo4 battery pack, emergency operation time selectable via jumper for 1h or 3h (default).

Non-maintained operation only.

Automatic test, luminaire status display via status LED.

Luminaire input power non-maintained with battery charging: 2,2W, power factor 0,43; with loaded battery 0,1W, power factor 0,05

Vin: 220/240V AC +/-10%; 50/60Hz
 Ta=0°C to +40°C
 Weight: 0.53 kg

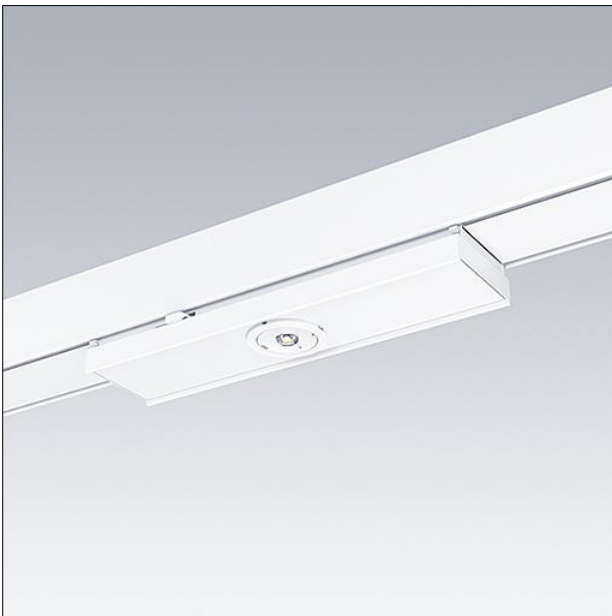
Degree of protection: IP20
 Impact strength: IK04
 Class II electrical

Warranty: The robust, integrated LiFePo4 battery comes with a three-year guarantee (applicable subject to the terms and conditions of and to the extent as set forth in the manufacturer's guarantee on Thorn products, which shall be applicable analogously and which is available under http://www.thornlighting.com/en/products/5-year-guarantee/5-year-warranty/terms-of-guarantee_en.pdf. The battery guarantee shall not come into effect if the product has been installed later than three(3) months after delivery EXW (Incoterms 2010).

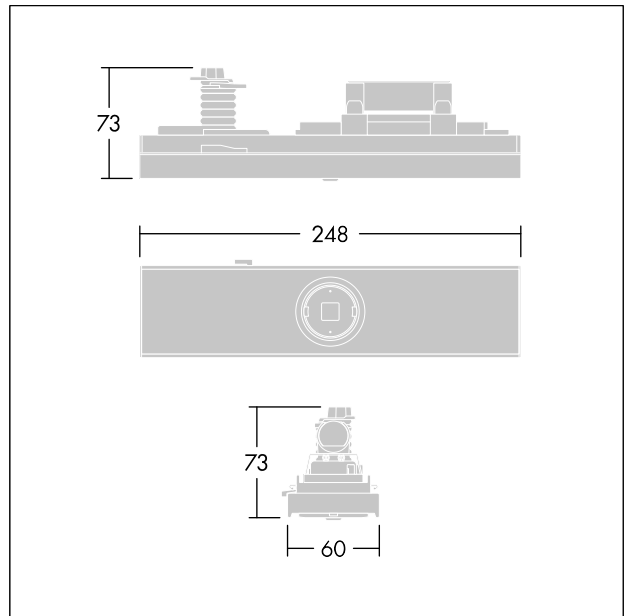
Spare Parts:

59013932 VOYAGER STAR E1/3T CONVERTER

59013928 VOYAGER STAR ACCU LiFePo4 1/3h - 59013940 VOYAGER STAR LENSES SET ANT/ESC/SPOT WH



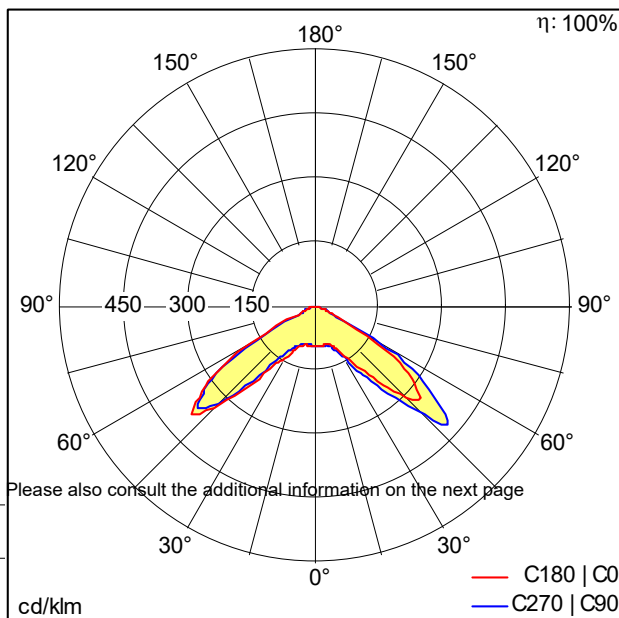
TLG_VSTR_F_WH_CONT_ANT.jpg



TLG_VSTR_M_CONTUS_2024.wmf

Light Distribution

230V, maintained operation ANT



- Light Source: LED
- Luminaire luminous flux*: 205 lm
- Luminaire efficacy*: 93 lm/W
- Rated median useful life*: L90 50000 h at 25 °C
- Luminaire input power*: 2.2 W

Voyager Star

THORN

VOYAGER STAR CON E1/3T S WH

96638119

Emergency luminaire

All values marked with an * are rated values. Thorn uses tried and tested components from leading suppliers, however there may be isolated instances of technology-related failures of individual LEDs during the rated product lifetime. International standards set the tolerance in initial flux and connected load at $\pm 10\%$. Unless stated otherwise, the values apply to an ambient temperature of 25°C. Risk group

Thorn Lighting is constantly developing and improving its products. The right is reserved to change specifications without prior notification or public announcement.
© Thorn Lighting