

# Voyager Blade

THORN

96642778 <VOYAGER BLADE EXIT E3M MSF

LED 5W LED_VOYB_60	IEC EN 60598-1 RG 0	IP 30	IK 03		CE	T <sub>a</sub> 0 +35
--------------------	------------------------	-------	-------	--	----	-------------------------

## Voyager Blade

Ultra slim, LED exit sign with Local battery luminaire, manual test (3 hours). For ceiling or wall mounting. Body: aluminium. Blade: thin plastic. Class I electrical, IP30. Suitable for small area use with viewing distances up to 23 m. Supplied with ISO LEFT/RIGHT legends only.

Dimensions: 268 x 42 x 192 mm

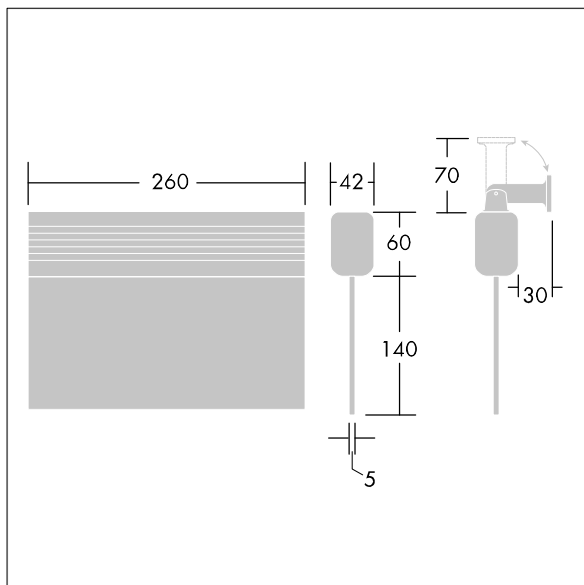
Luminaire input power: 6.1 W

Total luminous flux: 60 lm

Weight: 1 kg



TLG\_VOYB\_F\_MCE.jpg



TLG\_VOYB\_M\_LD1.wmf

Lamp position: STD - standard  
Light Source: LED  
Luminaire luminous flux\*: 60 lm  
Luminaire efficacy\*: 10 lm/W  
Colour Rendering Index min.: 80

Correlated colour temperature\*: 4000 Kelvin  
Rated median useful life\*:  
L50 50000 h at 25 °C  
Luminaire input power\*: 6.1 W  
Maintenance category CIE 97: D - Enclosed IP2X

All values marked with an \* are rated values. Thorn uses tried and tested components from leading suppliers, however there may be isolated instances of technology-related failures of individual LEDs during the rated product lifetime. International standards set the tolerance in initial flux and connected load at  $\pm 10\%$ . Unless stated otherwise, the values apply to an ambient temperature of 25°C. Risk group

Thorn Lighting is constantly developing and improving its products. The right is reserved to change specifications without prior notification or public announcement.  
© Thorn Lighting