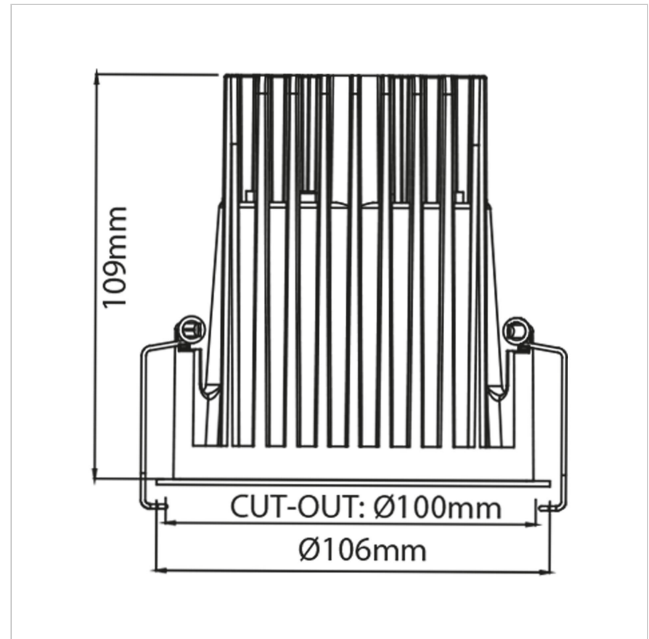
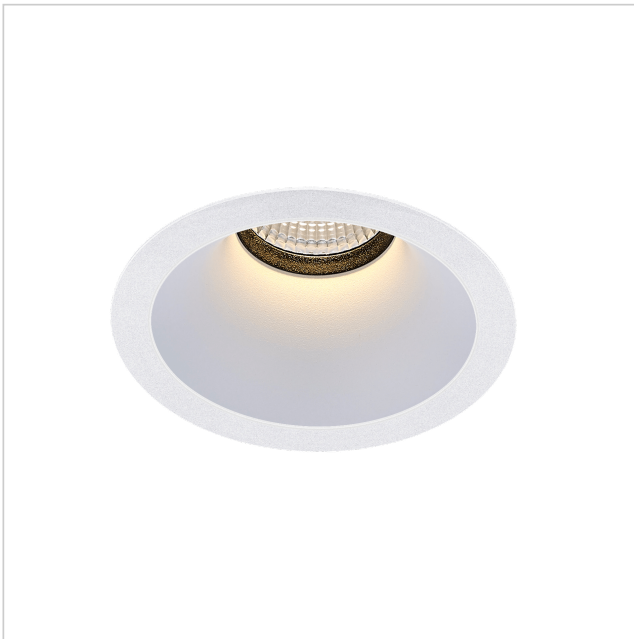


Dea Amata XM



SKU	: 214GW93045WH00
Housing material	: Aluminum Die Cast
Luminaire Color	: White
Optic	: Reflector
Reflector Color	: White
Power supply	: Separate Available
Luminaire dimension	: Ø107x115mm
Cut out dimension	: Ø100mm
Luminous Flux (lm)	: 1650 lm
LED power	: 17.5W
System power	: 19.5W
System efficiency	: 85lm/W
Beam angle (°)	: 45°
CCT (K)	: 3000K
CRI	: 90
Chromaticity tolerance	: 3 MacAdam
Nominal fA	: 500mA
Nominal fV	: 32.8-34.8V
Mains Voltage	: N/A
EI. Class	: Class II
Lifetime	: 50000h
IP rating	: IP54/IP20
Light source energy class	: E
Light source identifier	: CLU038-1208C4-303H5M3-F1
Net. Weight	: 0.7Kg
Warranty	: 5Y

All rated values @ ambient temperature of 25° C. Electric and photometric values are initially subject to a tolerance of +/- 10%. Tolerance of color temperature +/- 150K. Technical data can change without prior notice.

