



MASTERColour CDM-R111 Elite

MASTERColour CDM-R111 Elite 70W/930 GX8.5 24D

MASTERColour CDM-R111 Elite combines the trendy look of 111 mm aluminum-reflector halogen lamps with the long life, high energy efficiency and crisp white light of MASTERColour CDM.

Product data

• General Characteristics

| | |
|-------------------------|----------------------------|
| Cap-Base | GX8.5 |
| Bulb | R111 [R 111mm] |
| Bulb Finish | Reflector |
| Operating Position | any [Any or Universal (U)] |
| Life to 5% failures EL | 8000 hr |
| Life to 10% failures EL | 9500 hr |
| Life to 20% failures EL | 10500 hr |
| Life to 50% failures EL | 12000 hr |

• Light Technical Characteristics

| | |
|-------------------------------|----------------------------------|
| Beam Description | Narrow Flood |
| Beam Angle | 24 D |
| Beam Angle Technical | 16 (min), 22 (nom), 27.5 (max) D |
| Luminous Intensity | 16000 cd |
| Color Code | 930 [CCT of 3000K] |
| Color Rendering Index | 89 (min), 92 (nom) Ra8 |
| Color Designation (text) | Warm White |
| Color Temperature | 3000 K |
| Color Temperature Technical | 3000 K |
| Forward Luminous Output | 3700 Lm |
| Forward Luminous Efficacy | 50 Lm/W |
| Forward Lum Maintenance 2000h | 90 % |
| Forward Lum Maintenance 4000h | 85 % |

| | |
|--------------------------------|---------|
| Forward Lum Maintenance 8000h | 80 % |
| Forward Lum Maintenance 12000h | 70 % |
| Design Mean Lumens | 3100 Lm |
| Chromaticity Coordinate X | 0.437 - |
| Chromaticity Coordinate Y | 0.396 - |

• Electrical Characteristics

| | |
|------------------------|--------------|
| System Power EL | 80 W |
| Lamp Wattage | 70 W |
| Lamp Wattage EL | 73 W |
| Lamp Voltage | 89 V |
| Lamp Current EL | 0.820 A |
| Ignition Time | 30 (max) s |
| Run-up time 90% | 3 (max) min |
| Re-ignition Time [min] | 15 (max) min |
| Dimmable | No |

• Environmental Characteristics

| | |
|----------------------|--------|
| Mercury (Hg) Content | 6.6 mg |
|----------------------|--------|

• Product Dimensions

| | |
|-------------------------|---------------|
| Overall Length C | 95 (max) mm |
| Diameter D | 111 (max) mm |
| Overall Length C [inch] | 3.75 (max) in |

PHILIPS

MASTERColour CDM-R111 Elite

• Product Data

Order code 928195705330
Full product code 928195705330
Full product name MASTERColour CDM-R111 Elite
70W/930 GX8.5 24D
Order product name MC CDM-R111 Elite 70W/930 GX8.5
24D
Pieces per pack 1
Packing configuration 6

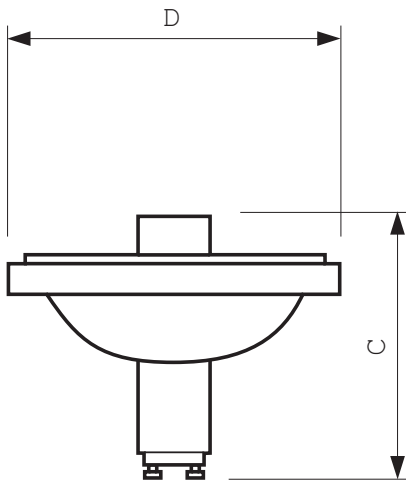
Packs per outerbox 6
Bar code on pack -
EAN1 8718291689706
Bar code on
outerbox - EAN3 8718291689713
Logistic code(s) -
12NC 928195705330
Net weight per piece 0.096 kg

Warnings and Safety

- Control gear must include end-of-life protection (IEC61167, IEC 62035)

- Use only with electronic control gear. 35W/930 lamps may also use electromagnetic gear

Dimensional drawing

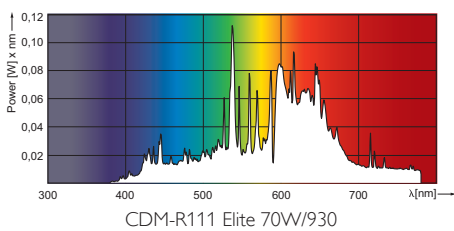


GX8.5

MASTERColour CDM-R111 Elite 70W/930 GX8.5 24D

| Product | C (Max) | D (Max) |
|----------------------------|---------|---------|
| CDM-R111 Elite 70W/930 24D | 95 | 111 |

Photometric data





© 2013 Koninklijke Philips N.V. (Royal Philips)
All rights reserved.

Specifications are subject to change without notice. Trademarks are the property of Koninklijke Philips N.V. (Royal Philips) or their respective owners.

www.philips.com/lighting

2013, June 20
data subject to change