



# MASTERLine 111

MASTERLine 111 60W G53 12V 8D 1CT

Low-voltage halogen burner with very high energy efficiency and long lifetime thanks to IRR coating in decorative aluminum reflector equipped with ceramic anti-glare cap. Ideal solution for high-end modern luminaires, putting your objects in the spotlight. Aluminum coating prevents heat in the backlight.

## Product data

### • General Characteristics

Philips Code	14741
Cap-Base	G53
Bulb	R111 [R 111mm]
Operating Position	any [Any or Universal (U)]
Life to 50% failures	4000 hr
Nominal Lifetime	4000 hr
Rated Lifetime (hours)	4000 hr
Rated Lifetime (years)	4 an

### • Light Technical Characteristics

Beam Angle	8 D
Beam Angle Technical	8 D
Luminous Intensity	40000 (max) cd
Color Rendering Index	100 Ra8
Color Temperature	3000 K
Color Temperature Technical	3000 K
Rated Luminous Flux	730 Lm
LLMF - end nominal lifetime	80 (min) %
Rated Beam Angle	8 D
Luminous flux in 90° cone	730 Lm

### • Electrical Characteristics

Rated Wattage	60.0 W
Lamp Wattage	60 W
Lamp Wattage Technical	60 W
Power Factor	1 -

Voltage	12 V
Lamp Current	5 A
Dimmable	Yes
Wattage Equivalent	90 W
Starting Time	0.0 s
Warm-up Time to 60% Light Outp	instant full light

### • Environmental Characteristics

Energy Efficiency Label (EEL)	C
Energy consumption kWh/1000h	64 kWh

### • Measuring Conditions

Switching cycle	16000X
-----------------	--------

### • Luminaire Design Requirements

Cap-Base Temperature	350 (max) C
Bulb Temperature	900 (max) C

### • Product Dimensions

Overall Length C	67 (max) mm
Overall Length Rim C1	51 (max) mm
Diameter D	111 (max) mm

### • Product Data

Order code	924058917161
Full product code	924058917161



asimpleswitch.com

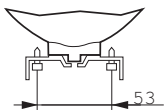
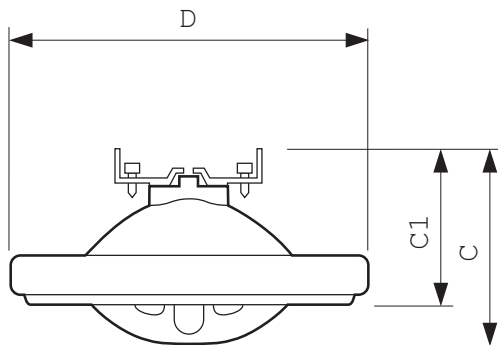
# PHILIPS

# MASTERLine 111

Full product name MASTERLine 111 60W G53 12V 8D  
1CT  
Order product name MASTERLine 111 60W G53 12V 8D  
1CT/6  
Pieces per pack 1  
Packing configuration 6  
Packs per outerbox 6

Bar code on pack - EAN1 8711500411112  
Bar code on outerbox - EAN3 8711500411129  
Logistic code(s) - 12NC 924058917161  
Net weight per piece 0.054 kg

## Dimensional drawing



G53

## MASTERLine 111 60W G53 12V 8D 1CT

Product	C (Max)	C1 (Max)	D (Max)
ML 111 14741 60W G53 12V 8D	67	51	111



© 2013 Koninklijke Philips N.V. (Royal Philips)  
All rights reserved.

Specifications are subject to change without notice. Trademarks are the property of Koninklijke Philips N.V. (Royal Philips) or their respective owners.

[www.philips.com/lighting](http://www.philips.com/lighting)

2013, October 9  
data subject to change