



MASTERColour CDM-R111 Elite

MASTERColour CDM-R111 Elite 35W/930 GX8.5 40D

MASTERColour CDM-R111 Elite combines the trendy look of 111 mm aluminum-reflector halogen lamps with the long life, high energy efficiency and crisp white light of MASTERColour CDM.

Product data

• General Characteristics

Cap-Base	GX8.5
Bulb	R111 [R 111mm]
Bulb Finish	Reflector
Operating Position	any [Any or Universal (U)]
Life to 5% failures EM	5000 hr
Life to 5% failures EL	8000 hr
Life to 10% failures EM	5500 hr
Life to 10% failures EL	9500 hr
Life to 20% failures EM	6000 hr
Life to 20% failures EL	10500 hr
Life to 50% failures EM	7500 hr
Life to 50% failures EL	12000 hr

• Light Technical Characteristics

Beam Description	Flood [Flood]
Beam Angle	40 D
Beam Angle Technical	27 (min), 36 (nom), 45 (max) D
Luminous Intensity	4500 cd
Color Code	930 [CCT of 3000K]
Color Rendering Index	87 (min), 90 (nom) Ra8
Color Designation (text)	Warm White
Color Temperature	3000 K
Color Temperature Technical	3000 K
Forward Luminous Output	1800 Lm

Forward Luminous Efficacy	46 Lm/W
Forward Lum Maintenance 2000h	90 %
Forward Lum Maintenance 4000h	85 %
Forward Lum Maintenance 8000h	80 %
Forward Lum Maintenance 12000h	70 %
Design Mean Lumens	1500 Lm
Chromaticity Coordinate X	0.432 -
Chromaticity Coordinate Y	0.392 -

• Electrical Characteristics

System Power EM	47 W
System Power EL	43 W
Lamp Wattage	35 W
Lamp Wattage EM	39 W
Lamp Wattage EL	39 W
Lamp Voltage	89 V
Lamp Current EM	0.440 A
Lamp Current EL	0.440 A
Ignition Time	30 (max) s
Run-up time 90%	3 (max) min
Re-ignition Time [min]	15 (max) min
Dimmable	No

• Environmental Characteristics

Mercury (Hg) Content	4.7 mg
----------------------	--------

PHILIPS

MASTERColour CDM-R111 Elite

• Product Dimensions

Overall Length C	95 (max) mm
Diameter D	111 (max) mm
Overall Length C [inch]	3.75 (max) in

• Product Data

Order code	928195505330
Full product code	928195505330
Full product name	MASTERColour CDM-R111 Elite 35W/930 GX8.5 40D

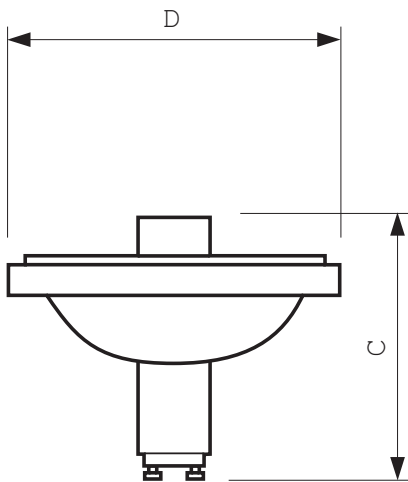
Order product name	MC CDM-R111 Elite 35W/930 GX8.5 40D
Pieces per pack	1
Packing configuration	6
Packs per outerbox	6
Bar code on pack - EAN1	8718291689522
Bar code on outerbox - EAN3	8718291689539
Logistic code(s) - 12NC	928195505330
Net weight per piece	0.096 kg

Warnings and Safety

- Control gear must include end-of-life protection (IEC61167, IEC 62035)

- Use only with electronic control gear. 35W/930 lamps may also use electromagnetic gear

Dimensional drawing

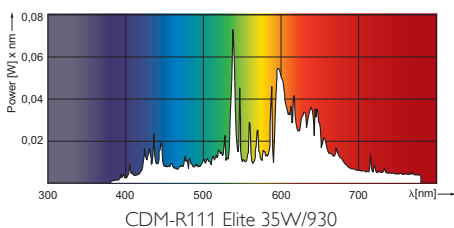


GX8.5

MasterColor CDM-R111 Elite 35W/930 GX8.5 40D

Product	C (Max)	D (Max)
CDM-R111 Elite 35W/930 40D	95	111

Photometric data





© 2013 Koninklijke Philips N.V. (Royal Philips)
All rights reserved.

Specifications are subject to change without notice. Trademarks are the property of Koninklijke Philips N.V. (Royal Philips) or their respective owners.

www.philips.com/lighting

2013, June 27
data subject to change