



MASTERColour CDM-Rm Mini

MASTERColour CDM-Rm Mini 20W/830 GX10 MR16 40D

The new Philips MASTERColour CDM-R mini brings trusted MASTERColour quality to 50mm reflector lamps with the superior output and colour stability to create the right atmosphere to match your customers' retail brand and positioning. The easy way to reflect more sparkle.

Product data

• General Characteristics

Cap-Base	GX10
Bulb	MR16 [2inch/50mm]
Bulb Finish	-
Operating Position	any [Any or Universal (U)]
Life to 5% failures	9000 hr
Life to 10% failures	10000 hr
Life to 20% failures	12000 hr
Life to 50% failures	15000 hr

• Light Technical Characteristics

Beam Description	-
Beam Angle	40 D
Beam Angle Technical	27 (min), 36 (nom), 45 (max) D
Luminous Intensity	2100 cd
Color Code	830 [CCT of 3000K]
Color Rendering Index	81 (min), 84 (nom) Ra8
Color Temperature	3000 K
Color Temperature Technical	3000 K
Forward Luminous Output	945 (min), 1050 (nom) Lm
Forward Luminous Efficacy	53 Lm/W
LLMF - end nominal lifetime	70 %
Forward Lum Maintenance 2000h	92 %
Forward Lum Maintenance 4000h	85 %
Forward Lum Maintenance 8000h	78 %
Forward Lum Maintenance 12000h	75 %

Forward Lum Maintenance 15000h	70 %
Design Mean Lumens EL	850 Lm
Chromaticity Coordinate X	0.440 -
Chromaticity Coordinate Y	0.400 -
Luminous flux in 90° cone	950 Lm

• Electrical Characteristics

System Power EL	23.5 W
Lamp Wattage	20 W
Lamp Wattage EL	20 W
Lamp Wattage EL 25°C, Rated	20.0 W
Lamp Voltage	93 V
Lamp Current EL	0.215 A
Ignition Time	30 (max) s
Run-up time 90%	3 (max) min
Re-ignition Time [min]	15 (max) min
Dimmable	No
Warm-up Time to 60% Light Outp	120 s

• Environmental Characteristics

Energy Efficiency Label (EEL)	A
Mercury (Hg) Content	3.5 mg
Energy consumption kWh/1000h	22 kWh

PHILIPS

MASTERColour CDM-Rm Mini

• UV-related Characteristics

Damage Factor D/fc PET (NIOSH)	0.4 (max) - 8 (min) h500lx
-----------------------------------	-------------------------------

• Measuring Conditions

Switching cycle	1350X
-----------------	-------

• Luminaire Design Requirements

Reflector Neck Temperature	215 (max) C
-------------------------------	-------------

• Product Dimensions

Reference Length A	59 (max) mm
Overall Length C	62.75 (nom), 65.4 (max) mm
Overall Length Rim C1	60.9 (max) mm
Diameter D	50 (nom), 51 (max) mm

• Product Data

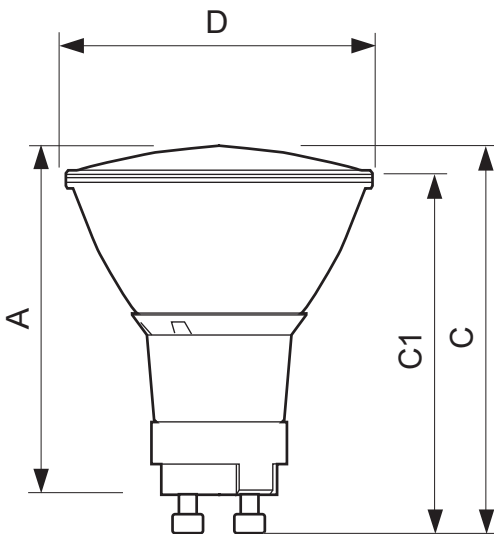
Order code	928191205331
Full product code	928191205331
Full product name	MASTERColour CDM-Rm Mini 20W/830 GX10 MR16 40D
Order product name	CDM-Rm Mini 20W/830 GX10 MR16 40D
Pieces per pack	1
Packing configuration	12
Packs per outerbox	12
Bar code on pack - EAN1	8718291203032
Bar code on outerbox - EAN3	8718291203049
Logistic code(s) - 12NC	928191205331
ILCOS code	MRS/UB-20/830-H-GX10-51/54.5/40
Net weight per piece	0.047 kg

Warnings and Safety

- Use only with electronic control gear
- Control gear must include end-of-life protection (IEC61167, IEC 62035)

- A lamp breaking is extremely unlikely to have any impact on your health. If a lamp breaks, ventilate the room for 30 minutes and remove the parts, preferably with gloves. Put them in a sealed plastic bag and take it to your local waste facilities for recycling. Do not use a vacuum cleaner.

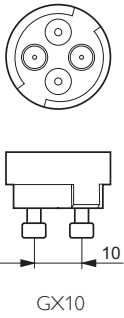
Dimensional drawing



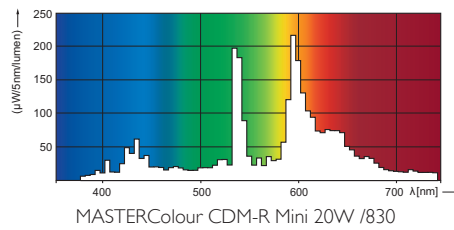
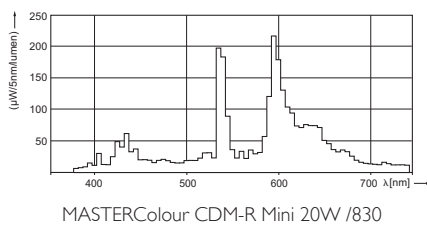
MASTERColour CDM-Rm Mini 20W/830 GX10 MR16 40D

Product	A (Max)	C (Norm)	C (Max)	C1 (Max)	D (Norm)	D (Max)
CDM-Rm 20W/830 GX10 MR16 40D	59	62.75	65.4	60.9	50	51

Dimensional drawing



Photometric data



© 2013 Koninklijke Philips N.V. (Royal Philips)
All rights reserved.

Specifications are subject to change without notice. Trademarks are the property of Koninklijke Philips N.V. (Royal Philips) or their respective owners.

www.philips.com/lighting

2013, November 14
data subject to change