

# MASTER TL5 Circular

## MASTER TL5 Circular 60W/840 1CT



This circular TL5 lamp (tube diameter 16 mm) offers extended design possibilities. The slim tube allows the creation of extremely flat luminaires and enables omni-directional light distribution. It is suitable for a wide range of professional and semi-professional applications, and is ideal for use in shops, offices and public areas with unconventional layouts.

### Product data

#### • General Characteristics

Cap-Base	2GX13
Bulb	C-T5 [C-T 16 mm]
Life to 10% fail	8000 hr
Preheat EL,3h	
Life to 50% fail	12000 hr
Preheat EL,3h	
LSF HF Preheat	99 %
2000h Rated,3h	
LSF HF Preheat	99 %
4000h Rated,3h	
LSF HF Preheat	96 %
6000h Rated,3h	
LSF HF Preheat	89 %
8000h Rated,3h	
LSF HF Preheat	50 %
12000h Rated,3h	
LSF HF Preheat	10 %
16000h Rated,3h	
LSF HF Preheat	1 %
20000h Rated,3h	

#### • Light Technical Characteristics

Color Code	840 [CCT of 4000K]
Color Rendering Index	85 Ra8
Color Designation (text)	Cool White
Color Temperature	4000 K
Luminous Flux EL 25°C, Rated	5000 Lm
Luminous Flux EL 25°C, Nominal	5000 Lm
Lum Efficacy Rated HF 25°C	83 Lm/W

LLMF HF 2000h Rated	91 %
LLMF HF 4000h Rated	87 %
LLMF HF 6000h Rated	84 %
LLMF HF 8000h Rated	81 %
LLMF HF 12000h Rated	77 %
LLMF HF 16000h Rated	74 %
LLMF HF 20000h Rated	72 %
Design Temperature	35 C
Chromaticity Coordinate X	380 -
Chromaticity Coordinate Y	380 -

#### • Electrical Characteristics

Lamp Wattage	60 W
Lamp Wattage EL 25°C, Rated	60.0 W
Lamp Wattage EL 25°C, Nominal	60 W
Lamp Voltage EL 25°C	129 V
Lamp Current EL 25°C	0.470 A
Dimmable	Yes

#### • Environmental Characteristics

Energy Efficiency Label (EEL)	A
-------------------------------	---

# PHILIPS

# MASTER TL5 Circular

Mercury (Hg) Content 2.5 mg  
 Energy consumption 66 kWh  
 kWh/1000h

• **Measuring Conditions**

Calibration Current 0.470 A  
 HF Generator Rated Voltage 258 V  
 Resistor 275 ohm

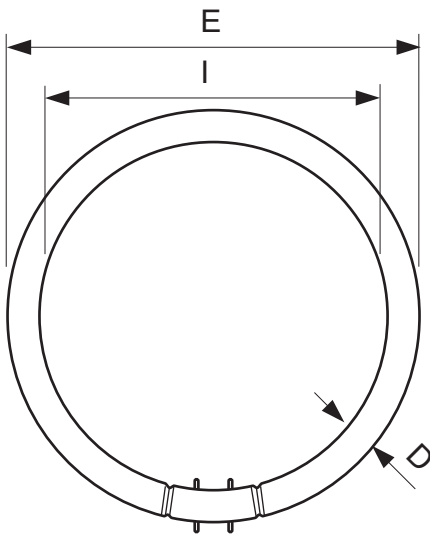
• **Product Dimensions**

Diameter D 14 (min), 18 (max) mm  
 Overall Width E 367 (min), 379 (max) mm  
 Inner Width I 334 (min), 346 (max) mm

• **Product Data**

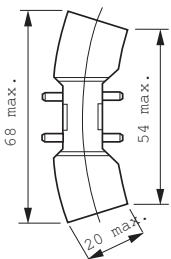
Order code 927966084013  
 Full product code 927966084013  
 Full product name MASTER TL5 Circular 60W/840 1CT  
 Order product name MASTER TL5 Circular 60W/840 1CT/10  
 Pieces per pack 1  
 Packing configuration 10  
 Packs per outerbox 10  
 Bar code on pack - EAN1 8711500642615  
 Bar code on outerbox - EAN3 8711500642622  
 Logistic code(s) - 12NC 927966084013  
 ILCOS code FSCH-60/40/1B-L/P-2GX13-16  
 Net weight per piece 145.000 gr

Dimensional drawing



MASTER TL5 Circular 60W/840 1CT

Product	D (Min)	D (Max)	E (Min)	E (Max)	I (Min)	I (Max)
TL5-C 60W/840	14	18	367	379	334	346



2GX13

## Photometric data



© 2013 Koninklijke Philips N.V. (Royal Philips)  
All rights reserved.

Specifications are subject to change without notice. Trademarks are the property of Koninklijke Philips N.V. (Royal Philips) or their respective owners.

[www.philips.com/lighting](http://www.philips.com/lighting)

2013, October 9  
data subject to change