



# MASTER CosmoWhite CPO-TW & CPO-TW Xtra

MASTER CosmoWhite CPO-TW 140W/728 PGZ12 1CT

New-generation ceramic metal halide lamps used in Outdoor offering efficient and pleasant white light

## Product data

### • General Characteristics

Cap-Base	PGZ12
Bulb	T19 [T 19mm]
Bulb Finish	Clear
Operating Position	any [Any or Universal (U)]
Life to 5% failures, horiz.	13500 hr
Life to 10% failures, horiz.	16000 hr
Life to 20% failures, horiz.	18500 hr
Life to 50% failures, horiz.	24000 hr
LSF EL 2kh Rated, 12h cyc. hor	99 %
LSF EL 4kh Rated, 12h cyc. hor	99 %
LSF EL 6kh Rated, 12h cyc. hor	99 %
LSF EL 8kh Rated, 12h cyc. hor	99 %
LSF EL 12kh Rated, 12h cyc. hor	97 %
LSF EL 16kh Rated, 12h cyc. hor	90 %
LSF EL 20kh Rated, 12h cyc. hor	74 %
LSF EL 24kh Rated, 12h cyc. hor	50 %

### • Light Technical Characteristics

Color Code	728 [CCT of 2800K]
CRI @ ±60% power	56 -
Color Designation (text)	White

Colour Temp. @ ±60% power	2880 K
Lum. Flux EL25°C, Rat. horiz.	16500 Lm
Luminous Flux @ ±60% power	7560 Lm
Lum Effic Rat EL 25°C horiz.	118 Lm/W
Luminous Efficacy @ ±60% power	90 Lm/W
Color Rendering Index, horiz	57 (min), 66 (nom) Ra8
Color Temperature, horizontal	2800 K
Color Temp. Technical, horiz.	2860 K
LLMF EL 2000h Rated, horiz.	97 %
LLMF EL 4000h Rated, horiz.	97 %
LLMF EL 6000h Rated, horiz.	95 %
LLMF EL 8000h Rated, horiz.	93 %
LLMF EL 12000h Rated, horiz.	88 %
LLMF EL 16000h Rated, horiz.	85 %
LLMF EL 20000h Rated, horiz.	81 %
LLMF EL 24000h Rated, horiz.	78 %
Chromaticity Coordinate X	444 -
Chromaticity Coordinate Y	401 -



asimpleswitch.com

# PHILIPS

# MASTER CosmoWhite CPO-TW & CPO-TW Xtra

Chrom. Coord. X @ 449 -  
±60% power  
Chrom. Coord. Y @ 414 -  
±60% power

## • Electrical Characteristics

Lamp Wattage 140 W  
Lamp Wattage EL 84.0 W  
25°C, Rated  
Lamp Wattage EL 140.0 W  
25°C, Nominal  
Lamp Voltage 94 V  
Lamp Current EL 1.49 A  
Lamp Current EL at ±60% power 931 mA  
Ignition Time 30 (max) s  
Run-up time 90% 4 (max) min  
Dimmable Yes  
Re-ignition Time 900 (max) s [sec]  
Ratio scotopic/photopic lumens 1.15 -

## • Environmental Characteristics

Energy Efficiency Label (EEL) A+  
Mercury (Hg) Content 2.83 mg  
Energy consumption kWh/1000h 154 kWh

## • UV-related Characteristics

Damage Factor D/fc 0.19 -

PET (NIOSH) 8 (min) h500lx

## • Luminaire Design Requirements

Cap-Base Temperature 300 (max) C  
Bulb Temperature 550 (max) C

## • Product Dimensions

Overall Length C 149.8 (max) mm  
Diameter D 19 (nom), 20 (max) mm  
Light Center Length L 66 mm  
Arc Length O 22 mm

## • Product Data

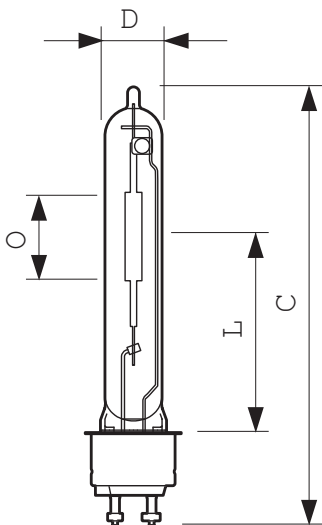
Order code 928088805127  
Full product code 928088805127  
Full product name MASTER CosmoWhite CPO-TW 140W/728 PGZ12 1CT  
Order product name MST CosmoWh CPO-TW 140W/728 PGZ12 1CT/12  
Pieces per pack 1  
Packing configuration 12  
Packs per outerbox 12  
Bar code on pack - EAN1 8711500208538  
Bar code on outerbox - EAN3 8711500208545  
Logistic code(s) - 12NC 928088805127  
ILCOS code MT-140/728-H-PGZ12-20/150  
Net weight per piece 0.040 kg

## Warnings and Safety

- Use only in totally enclosed luminaire, even during testing (IEC61167, IEC 62035, IEC60598)
- The luminaire must be able to contain hot lamp parts if the lamp ruptures

- Use only with electronic control gear
- Control gear must include end-of-life protection (IEC61167, IEC 62035)

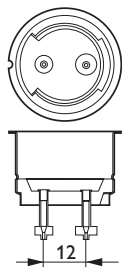
## Dimensional drawing



## MASTER CosmoWhite CPO-TW 140W/728 PGZ12 1CT

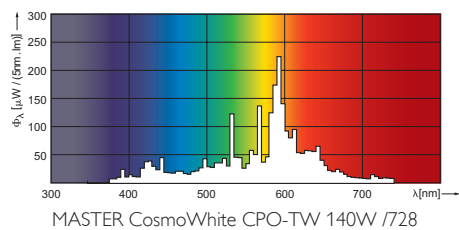
Product	C (Max)	D (Norm)	D (Max)	L (Norm)	O (Norm)
CPO-TW 140W/728 PGZ12	149.8	19	20	66	22

Dimensional drawing



PGZ12

Photometric data



© 2013 Koninklijke Philips N.V. (Royal Philips)  
All rights reserved.

Specifications are subject to change without notice. Trademarks are the property of Koninklijke Philips N.V. (Royal Philips) or their respective owners.

[www.philips.com/lighting](http://www.philips.com/lighting)

2013, November 12  
data subject to change