



MASTERCcolour CDM-Tm Mini

MASTERCcolour CDM-Tm Mini 20W/830 PGJ5 1CT

Miniature, single-ended ceramic metal halide lamp PGJ5 twist-lock lamp base

Product data

• General Characteristics

Cap-Base	PGJ5
Bulb	T3.5
Bulb Finish	Clear
Burning Position	any [Any/Universal]
Life to 5% failures	9000 hr
Life to 10% failures	10000 hr
Life to 20% failures	11000 hr
Life to 50% failures	12000 hr

• Light Technical Characteristics

Colour Code	830 [CCT of 3000K]
Colour Rendering Index	82 (min), 85 (nom) Ra8
Colour Designation	Warm white
Colour Temperature	3000 K
Colour Temperature Technical	3020 K
Lamp Luminous Flux EL	1650 Lm
Lamp Luminous Efficacy EL	75 Lm/W
Lumen Maintenance 1000h	80 %
Lumen Maintenance 2000h	75 %
Lumen Maintenance 5000h	65 %
Lumen Maintenance 10000h	60 %
Design Mean Lumens EL	1100 Lm
Chromaticity Coordinate X	0.432 -
Chromaticity Coordinate Y	0.396 -

• Electrical Characteristics

System Power EL	24 W
Lamp Wattage	20 W
Lamp Wattage EL	22 W
Lamp Voltage	100 V
Lamp Current EL	0.220 A
Ignition Time	30 (max) s
Run-up time 90%	3 (max) min
Re-ignition Time [min]	15 (max) min
Dimmable	no

• Environmental Characteristics

Mercury (Hg) Content	2.4 mg
----------------------	--------

• UV-related Characteristics

Damage Factor D/fc PET (NIOSH)	0.51 - 8 (min) h500lx
--------------------------------	--------------------------

• Luminaire Design Requirements

Cap-Base Temperature	250 (max) C
Bulb Temperature	380 (max) C

• Product Dimensions

Overall Length C	52 (max) mm
Diameter D	11.2 (max) mm
Light Center Length L	22.3 (min), 22.6 (nom), 22.9 (max) mm
Arc Length O	3 mm



asimpleswitch.com

PHILIPS

MASTERC colour CDM-Tm Mini

Light Center Length L [inch] 0.87 in
 Overall Length C [inch] 1.75 (max) in
 Diameter D [inch] 0.44 in

Pieces per pack 1
 Packing configuration 12
 Packs per outerbox 12
 Bar code on pack - EAN1 8711500207517
 Bar code on outerbox - EAN3 8711500207524
 Logistic code(s) - 12NC 928087905130
 ILCOS code MC-20/30/1B-H-PGJ5
 Net weight per piece 0.005 kg

• Product Data

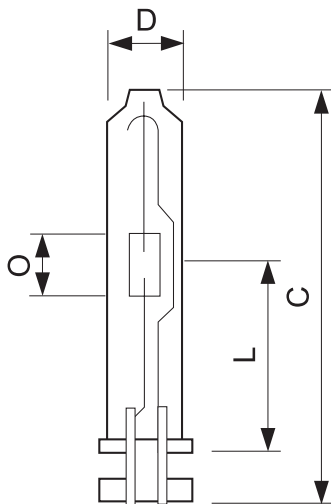
Order code 207517 15
 Full product code 871150020751715
 Full product name MASTERC colour CDM-Tm Mini 20W/830 PGJ5 1CT
 Order product name MASTERC CDM-Tm Mini 20W/830 PGJ5 1CT/12

Warnings and Safety

- Use only in totally enclosed luminaire, even during testing (IEC61167, IEC 62035, IEC60598)
- The luminaire must be able to contain hot lamp parts if the lamp ruptures
- Use only with electronic control gear

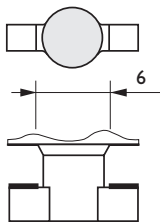
- Control gear must include end-of-life protection (IEC61167, IEC 62035)
- For 20W PGJ5 lamp, use only Philips electronic control gear HID PV mini PGJ5 22W
- For 35W PGJ5 lamp, use only Philips electronic control gear HID PV mini 35W

Dimensional drawing



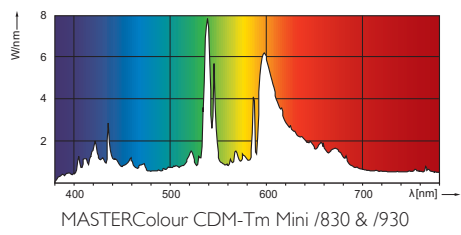
MASTERC colour CDM-Tm Mini 20W/830 PGJ5 1CT

Product	C (Max)	D (Max)	L (Min)	L (Norm)	L (Max)	O (Min)	O (Norm)	O (Max)
CDM-Tm 20W/830 PGJ5	52	11.2	22.3	22.6	22.9	-	3	-



PGJ5

Photometric data



© 2013 Koninklijke Philips N.V. (Royal Philips)
All rights reserved.

Specifications are subject to change without notice. Trademarks are the property of Koninklijke Philips N.V. (Royal Philips) or their respective owners.

www.philips.com/lighting

2013, June 21
data subject to change