

# MSD Platinum (Touring/ Stage)

## MSD Platinum 20 R



The MSD Platinum lamps open up new levels of creative freedom in entertainment lighting, with powerful, compact and brilliantly intense light. Their compact, lightweight design provides the freedom to create smaller, lighter luminaires – for use at any location on stage. And their short arc, high color temperature and innovative reflector produce a sparkling, high beam intensity for outstanding color reproduction. They also offer long and reliable lifetime, high efficacy and fast replacement times. It all adds up to an intensely exciting creative experience.

## Product data

### • General Characteristics

System Description	Reflector E21.9 TCM
Cap-Base	-
Cap-Base Information	-
Operating Position	any
Main Application	Stage/Touring

### • Light Technical Characteristics

Color Code	2
------------	---

### • Electrical Characteristics

Lamp Wattage	470 W
--------------	-------

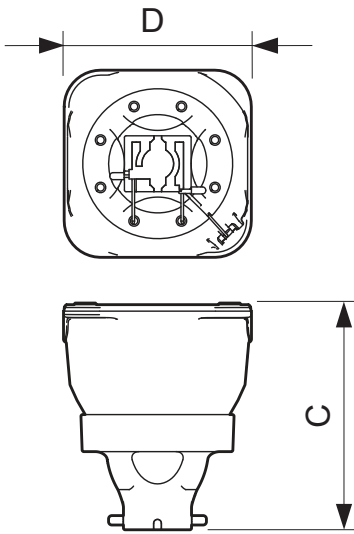
### • Product Data

Order code	928197205314
Full product code	928197205314
Full product name	MSD Platinum 20 R
Order product name	MSD Platinum 20 R
Pieces per pack	1
Packing configuration	8
Packs per outerbox	8
Bar code on pack - EAN1	8718696478127
Bar code on outerbox - EAN3	8718696478134
Logistic code(s) - 12NC	928197205314
Net weight per piece	0.120 kg

# PHILIPS

# MSD Platinum (Touring/Stage)

## Dimensional drawing

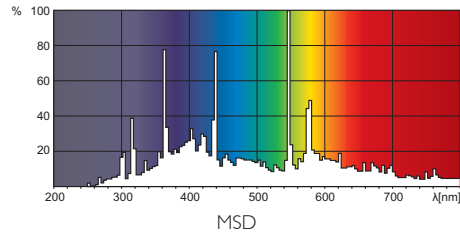
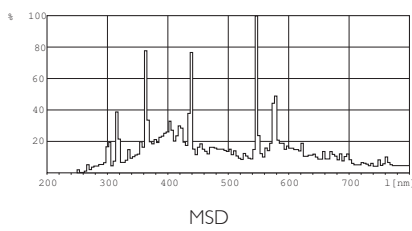


### MSD Platinum 20 R

Product C (Max) D (Max) F (Min) F (Norm) F (Max) L (Min) L (Norm) L (Max) O (Norm) T (Max)

MSD Platinum 20 R - - - - - - - - - -

## Photometric data



© 2014 Koninklijke Philips N.V. (Royal Philips)  
All rights reserved.

Specifications are subject to change without notice. Trademarks are the property of Koninklijke Philips N.V. (Royal Philips) or their respective owners.

[www.philips.com/lighting](http://www.philips.com/lighting)

2014, December 22  
data subject to change