



Fugato Performance, general lighting

FBS270 1xPL-T/4P32W/830 HFP C PI WH

FBS270 - 1 pc - MASTER PL-T 4 Pin - 32 W - HF

Performer - High-gloss mirror

The Fugato range of fixed downlights for general lighting consists of Fugato Compact (cut-out 175 mm), Fugato Performance (cut-out 225 mm), Fugato Power (cut-out 275 mm) and Fugato Full Metal (both 175 and 225 mm), which have all been designed for optimum performance – both optical and thermal – with compact fluorescent lamps. Optical variation is provided by Fugato's 'dual optic' concept. The top optic is made of high-gloss aluminum. The lower polymer optic can be ordered in a high-gloss, matt-satin or white finish. The high-gloss (C) version complies with the UGRr19 norm (in accordance with EN12464-1, $L_m < 1000 \text{ cd/m}^2$ at $\gamma > 65^\circ$) when used with the innovative round louver. A wide range of accessories is available for the CFL versions of both Fugato and Fugato Full Metal.

Product data

• General information

Product family code	FBS270 [FBS270]
Number of light sources	1 [1 pc]
Lamp family code	PL-T/4P [MASTER PL-T 4 Pin]
Lamp power	32 W [32 W]
Lamp colour code	830 [830 warm white]
Cap-base	GX24q-3 [GX24q-3]
Kombipack	K [Lamp(s) included]
Compensation circuit	No [-]
Gear	HFP [HF Performer]
Driver/power unit/transformer	No [-]
Optic type	C [High-gloss mirror]
Optical cover/lens type	No [-]
Emergency lighting	No [-]
Internal wiring	STD [Standard]
Electrical circuit protection	No [-]
Connection	PI [Push-in connector 3-pole]
Cable	No [-]
Protection class IEC	CLI [Safety class I]
Ingress protection code	IP20 [Finger-protected]
Colour	WH [White]
Protection foil	No [-]
Flammability mark	F [For mounting on normally flammable surfaces]
Accessories included	No [-]
CE mark	CE [CE mark]
ENEC mark	ENEC [ENEC mark]

• Light technical

Optic accessory type	No [-]
Filters and lenses	No [-]
Glare shielding accessories	No [-]

• Electrical

Input voltage	230 V [230 V]
Input frequency	50-60 Hz [50 to 60 Hz]

• Mechanical

Ceiling mounting accessories	No [-]
Decorative accessories	No [-]

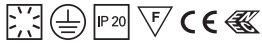
• Product Data

Order code	711690 00
Full product code	871155971169000
Full product name	FBS270 1xPL-T/4P32W/830 HFP C PI WH
Order product name	FBS270 1xPL-T/4P32W/830 HFP C PI WH
Pieces per pack	0
Packs per outerbox	1
Bar code on outerbox - EAN3	8711559711690
Logistic code(s) - 12NC	910502485315

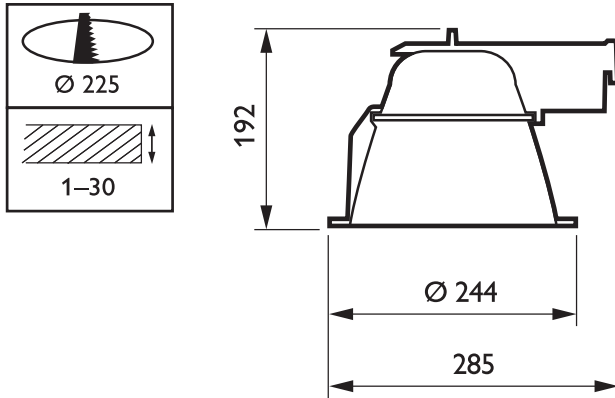
PHILIPS

Fugato Performance, general lighting

Net weight per piece 0.948 kg

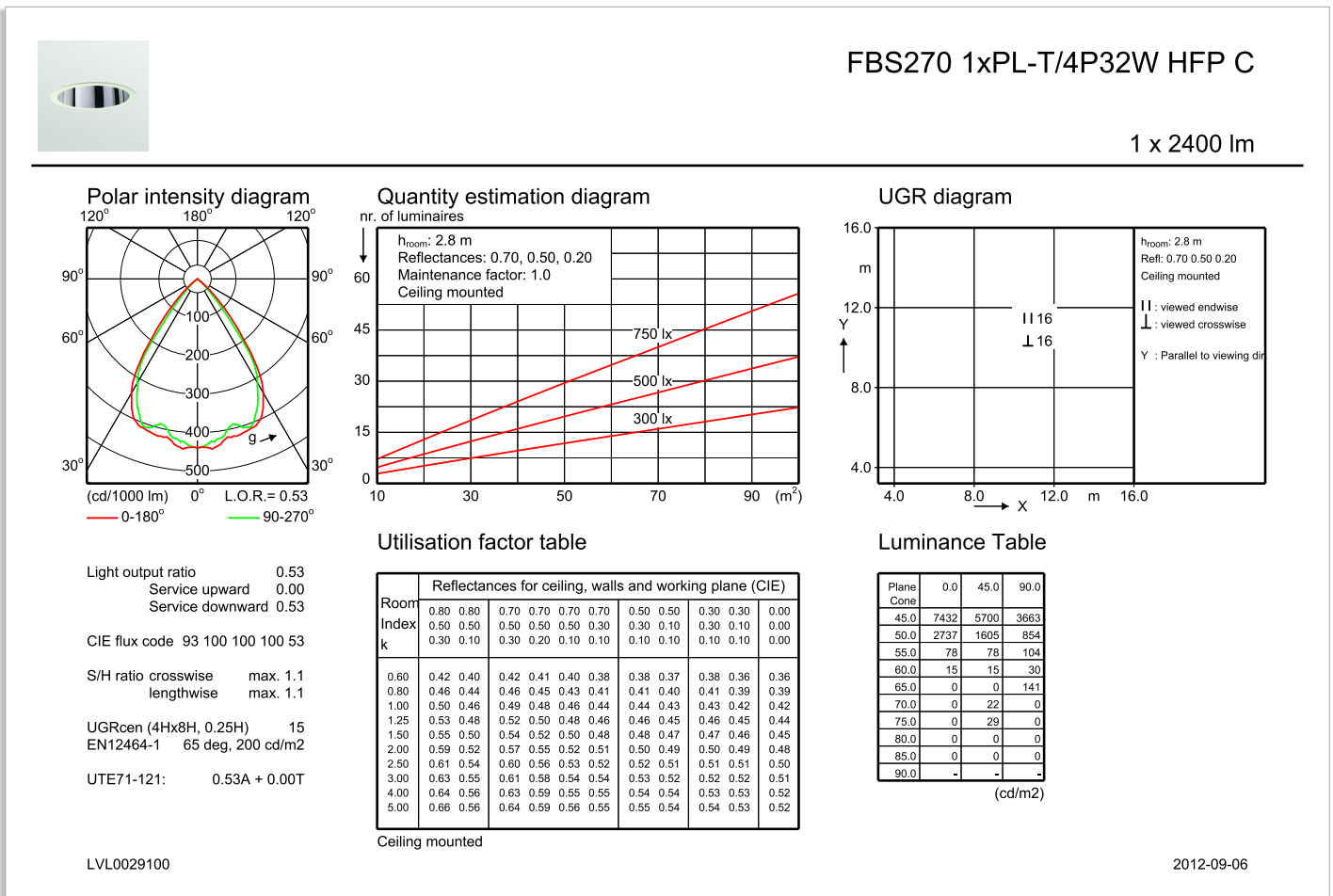


Dimensional drawing



FBS270 1xPL-T/4P32W/830 HFP C PI WH

Photometric data



LVL0029100

2012-09-06

FBS270 1xPL-T/4P32W HFP C



© 2015 Koninklijke Philips N.V. (Royal Philips)
All rights reserved.

Specifications are subject to change without notice. Trademarks are the property of Koninklijke Philips N.V. (Royal Philips) or their respective owners.

www.philips.com/lighting

2015, January 8
data subject to change