

BGP203 - LED module 3000 lm - Distribution wide -
Universal for diameter 48-60 mm adjustable

At relatively low initial cost, the highly efficient LED-based UniStreet luminaire offers significant cost savings compared with conventional street lighting, ensuring full payback within a short period of time. Available in a choice of lumen packages, UniStreet allows point-to-point replacement of outdated conventional light sources and luminaires. The compact, slim luminaire is made of quality recyclable materials. And being a LED solution, it requires little maintenance.

Product data

• General information

Product family code	BGP203 [BGP203]
Lamp family code	LED30 [LED module 3000 lm]
Light source color	740 [740 neutral white]
Light source replaceable	true [Yes]
Number of gear units	1 [1 unit]
Driver/power unit/transformer	PSD [Power supply unit with DALI interface]
Driver included	true [Yes]
Protection class IEC	I [Safety class I]
Ingress protection code	IP66 [Dust penetration-protected, jet-proof]
Mech. impact protection code	IK08 [5 J vandal-protected]
Optic type	DW [Distribution wide]
Optical cover/lens type	FG [Glass flat]
Color	GR [Gray]
Coating	No [-]
Embedded control	No [-]
Dimmable	Yes [Yes]
Light regulation	D9 [Dimming via external communication DALI]
Photocell	No [-]
Surge protection	No [Basic surge protection level until 4 kV]
Connection	SI [Screw connection block]
Glow-wire test	650/5 [Temperature 650 °C, duration 5 s]
CE mark	CE [CE mark]
ENEC mark	ENEC [ENEC mark]
Constant light output	Yes [Yes]

• Light technical

Standard tilt angle posttop	0 [0°]
Standard tilt angle side entry	0 [0°]
Luminous flux tolerance	+/-7.5% [+/-7.5%]
Scotopic/photopic lumen ratio	1.6 -

• Electrical

Power consumption tolerance	+/-7.5% [+/-7.5%]
Input voltage	220-240 V [220 to 240 V]
Input frequency	50-60 Hz [50 to 60 Hz]

• Mechanical

Mounting device	48/60A [Universal for diameter 48-60 mm adjustable]
Housing material	ALU [Aluminum]
Optic material	PC [Polycarbonate]
Optical cover/lens material	G [Glass]

• Initial perform. (IEC compliant)

Init. Corr. Color Temperature	4000 [4000 K]
Init. Color Rendering Index	>70 [>70]
Initial chromaticity	(0.38, 0.38) SDCM <5



• Over time perform. (IEC compliant)

Driver failure rate at 5000 h 0.05 %

• Application conditions

Average ambient temperature T25 [+25 °C]
Ambient temperature range -30 to +35°C [-30 to +35 °C]

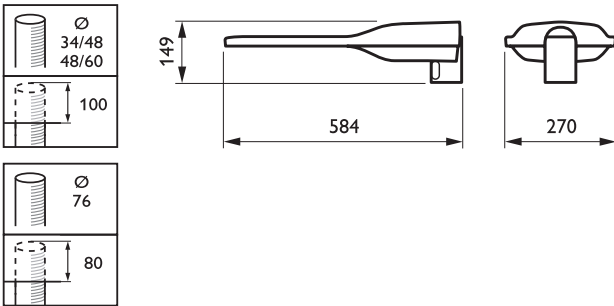
• Product Data

Order code 910925439150
Full product code 910925439150

Full product name BGP203 LED30-/740 I DW D9 48/60A
Order product name BGP203 LED30-/740 I DW D9 48/60A
Pieces per pack 0
Packs per outerbox 1
Bar code on outerbox - EAN3 8718696318942
Logistic code(s) - 12NC 910925439150
Net weight per piece 6.210 kg

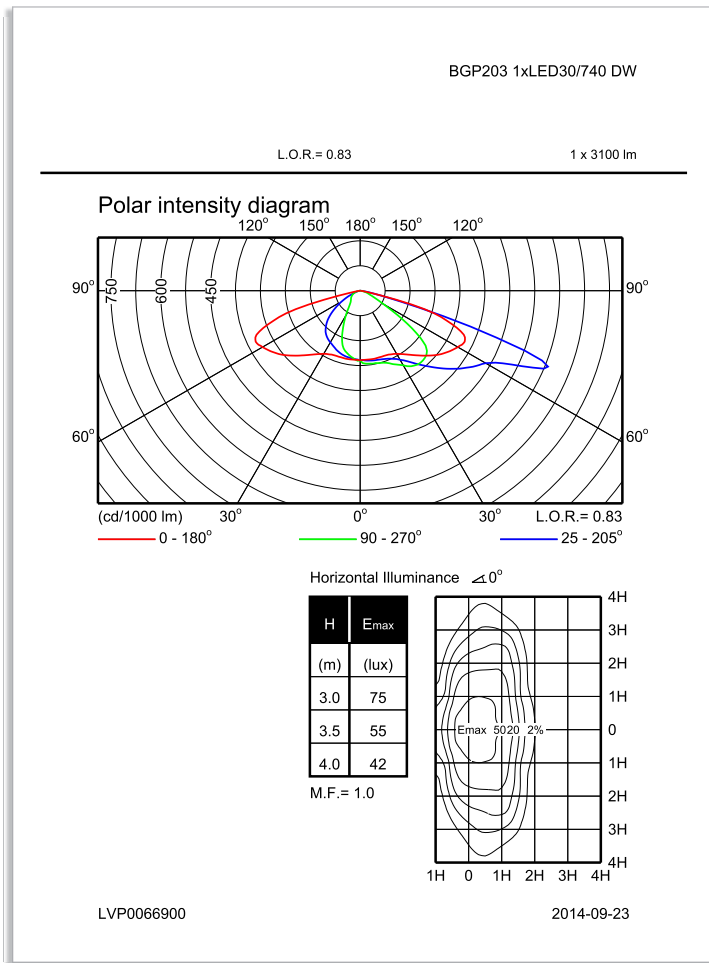


Dimensional drawing



BGP203 LED30-/740 I DW D9 48/60A

Photometric data



BGP203 1xLED30/740 DW



© 2015 Koninklijke Philips N.V. (Royal Philips)
All rights reserved.

Specifications are subject to change without notice. Trademarks are the property of Koninklijke Philips N.V. (Royal Philips) or their respective owners.

www.philips.com/lighting

2015, March 24
data subject to change