



MASTERColour CDM-Rm Elite Mini

MASTERColour CDM-Rm Elite Mini 50W/930 GX10 MR16 25D

Mini, very high-efficiency Ceramic Metal Halide discharge reflector lamp producing crisp white sparkling light with high color rendering

Product data

• General Characteristics

| | |
|----------------------|----------------------------|
| Cap-Base | GX10 |
| Bulb | MR16 [2inch/50mm] |
| Bulb Finish | - |
| Operating Position | any [Any or Universal (U)] |
| Life to 5% failures | 6000 hr |
| Life to 10% failures | 7500 hr |
| Life to 20% failures | 9000 hr |
| Life to 50% failures | 12000 hr |

• Light Technical Characteristics

| | |
|--------------------------------|--------------------------------------|
| Beam Description | - |
| Beam Angle | 25 D |
| Beam Angle Technical | 17.25 (min), 23 (nom), 28.75 (max) D |
| Luminous Intensity | 11500 cd |
| Color Code | 930 [CCT of 3000K] |
| Color Rendering Index | 87 (min), 90 (nom) Ra8 |
| Color Temperature | 3000 K |
| Color Temperature Technical | 3000 K |
| Forward Luminous Output | 3150 (min), 3500 (nom) Lm |
| Forward Luminous Efficacy | 70 Lm/W |
| LLMF - end nominal lifetime | 87 % |
| Forward Lum Maintenance 2000h | 95 % |
| Forward Lum Maintenance 4000h | 93 % |
| Forward Lum Maintenance 8000h | 90 % |
| Forward Lum Maintenance 12000h | 87 % |

| | |
|---------------------------|---------|
| Design Mean Lumens EL | 3200 Lm |
| Chromaticity Coordinate X | 0.441 - |
| Chromaticity Coordinate Y | 0.406 - |
| Luminous flux in 90° cone | 3100 Lm |

• Electrical Characteristics

| | |
|--------------------------------|--------------|
| System Power EL | 56 W |
| Lamp Wattage | 50 W |
| Lamp Wattage EL | 50 W |
| Lamp Wattage EL 25°C, Rated | 50.0 W |
| Lamp Voltage | 89 V |
| Lamp Current EL | 0.575 A |
| Ignition Time | 30 (max) s |
| Run-up time 90% | 3 (max) min |
| Re-ignition Time [min] | 15 (max) min |
| Dimmable | No |
| Warm-up Time to 60% Light Outp | 120 s |

• Environmental Characteristics

| | |
|-------------------------------|--------|
| Energy Efficiency Label (EEL) | A |
| Mercury (Hg) Content | 6.6 mg |
| Energy consumption kWh/1000h | 55 kWh |

PHILIPS

MASTERColour CDM-Rm Elite Mini

• UV-related Characteristics

| | |
|-----------------------------------|-------------------------------|
| Damage Factor D/fc PET (NIOSH) | 0.4 (max) - 8 (min) h500lx |
|-----------------------------------|-------------------------------|

• Measuring Conditions

| | |
|-----------------|-------|
| Switching cycle | 1000X |
|-----------------|-------|

• Luminaire Design Requirements

| | |
|-------------------------------|-------------|
| Reflector Neck Temperature | 315 (max) C |
|-------------------------------|-------------|

• Product Dimensions

| | |
|--------------------------|----------------------------|
| Reference Length A | 59 (max) mm |
| Overall Length C | 62.75 (nom), 65.4 (max) mm |
| Overall Length Rim C1 | 60.9 (max) mm |
| Diameter D | 50 (nom), 51 (max) mm |

• Product Data

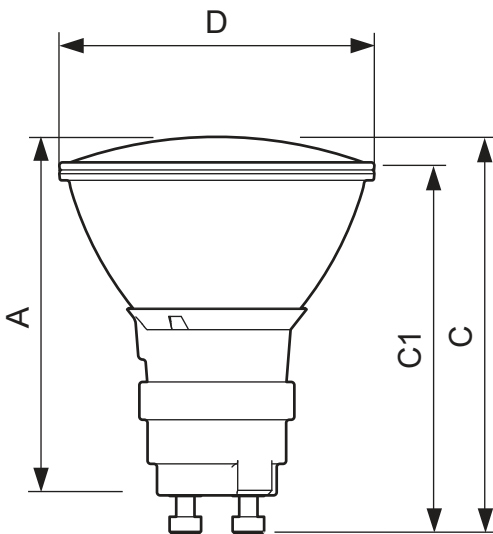
| | |
|--------------------------------|---|
| Order code | 928193205330 |
| Full product code | 928193205330 |
| Full product name | MASTERColour CDM-Rm Elite Mini 50W/930 GX10 MR16 25D |
| Order product name | CDM-Rm Elite Mini 50W/930 GX10 MR16 25D |
| Pieces per pack | 1 |
| Packing configuration | 12 |
| Packs per outerbox | 12 |
| Bar code on pack - EAN1 | 8718291120902 |
| Bar code on outerbox - EAN3 | 8718291120919 |
| Logistic code(s) - 12NC | 928193205330 |
| ILCOS code | MRS/UB-50/930-H-GX10-51/54.5/25 |
| Net weight per piece | 0.047 kg |

Warnings and Safety

- Use only with electronic control gear
- Control gear must include end-of-life protection (IEC61167, IEC 62035).

- A lamp breaking is extremely unlikely to have any impact on your health. If a lamp breaks, ventilate the room for 30 minutes and remove the parts, preferably with gloves. Put them in a sealed plastic bag and take it to your local waste facilities for recycling. Do not use a vacuum cleaner.

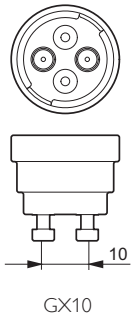
Dimensional drawing



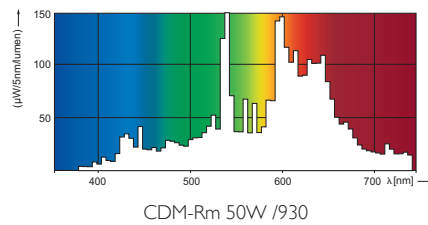
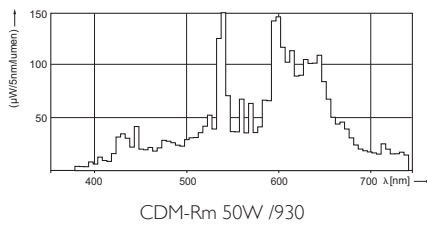
MASTERColour CDM-Rm Elite Mini 50W/930 GX10 MR16 25D

| Product | A (Max) | C (Norm) | C (Max) | C1 (Max) | D (Norm) | D (Max) |
|------------------------------|---------|----------|---------|----------|----------|---------|
| CDM-Rm 50W/930 GX10 MR16 25D | 59 | 62.75 | 65.4 | 60.9 | 50 | 51 |

Dimensional drawing



Photometric data



© 2015 Koninklijke Philips N.V. (Royal Philips)
All rights reserved.

Specifications are subject to change without notice. Trademarks are the property of Koninklijke Philips N.V. (Royal Philips) or their respective owners.

www.philips.com/lighting

2015, July 11
data subject to change