



# MASTERColour CDM-Rm Elite Mini

MASTERColour CDM-Rm Elite Mini 35W/930 GX10 MR16 40D

Mini, very high-efficiency Ceramic Metal Halide discharge reflector lamp producing crisp white sparkling light with high color rendering

## Product data

### • General Characteristics

Cap-Base	GX10
Bulb	MR16 [2inch/50mm]
Bulb Finish	-
Operating Position	any [Any or Universal (U)]
Life to 5% failures	9000 hr
Life to 10% failures	10000 hr
Life to 20% failures	12000 hr
Life to 50% failures	15000 hr

Forward Lum Maintenance 15000h	86 %
Design Mean Lumens EL	2200 Lm
Chromaticity Coordinate X	0.439 -
Chromaticity Coordinate Y	0.403 -
Luminous flux in 90° cone	2150 Lm

### • Light Technical Characteristics

Beam Description	-
Beam Angle	40 D
Beam Angle Technical	27 (min), 36 (nom), 45 (max) D
Luminous Intensity	4400 cd
Color Code	930 [CCT of 3000K]
Color Rendering Index	88 (min), 91 (nom) Ra8
Color Temperature	3000 K
Color Temperature Technical	3000 K
Forward Luminous Output	2200 (min), 2400 (nom) Lm
Forward Luminous Efficacy	61.5 Lm/W
LLMF - end nominal lifetime	86 %
Forward Lum Maintenance 2000h	95 %
Forward Lum Maintenance 4000h	93 %
Forward Lum Maintenance 8000h	90 %
Forward Lum Maintenance 12000h	87 %

### • Electrical Characteristics

System Power EL	43 W
Lamp Wattage	35 W
Lamp Wattage EL	35 W
Lamp Wattage EL 25°C, Rated	39.0 W
Lamp Voltage	87 V
Lamp Current EL	0.450 A
Ignition Time	30 (max) s
Run-up time 90%	3 (max) min
Re-ignition Time [min]	15 (max) min
Dimmable	No
Warm-up Time to 60% Light Outp	120 s

### • Environmental Characteristics

Energy Efficiency Label (EEL)	A
Mercury (Hg) Content	4.7 mg
Energy consumption kWh/1000h	43 kWh

**PHILIPS**

# MASTERColour CDM-Rm Elite Mini

## • UV-related Characteristics

Damage Factor D/fc PET (NIOSH)	0.4 (max) - 8 (min) h500lx
-----------------------------------	-------------------------------

## • Measuring Conditions

Switching cycle	1350X
-----------------	-------

## • Luminaire Design Requirements

Reflector Neck Temperature	315 (max) C
-------------------------------	-------------

## • Product Dimensions

Reference Length A	59 (max) mm
Overall Length C	62.75 (nom), 65.4 (max) mm
Overall Length Rim C1	60.9 (max) mm
Diameter D	50 (nom), 51 (max) mm

## • Product Data

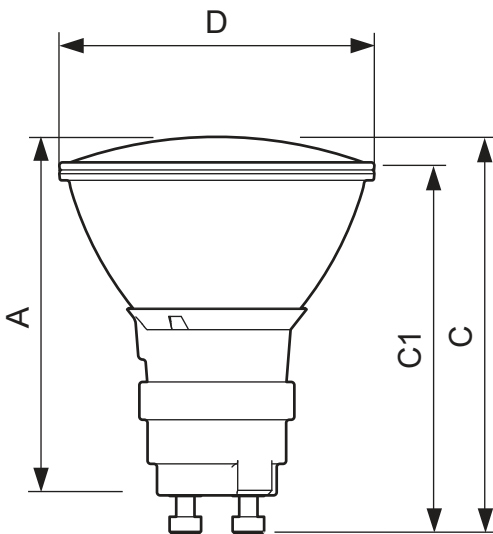
Order code	928194805330
Full product code	928194805330
Full product name	MASTERColour CDM-Rm Elite Mini 35W/930 GX10 MR16 40D
Order product name	CDM-Rm Elite Mini 35W/930 GX10 MR16 40D
Pieces per pack	1
Packing configuration	12
Packs per outerbox	12
Bar code on pack - EAN1	8718291163060
Bar code on outerbox - EAN3	8718291163077
Logistic code(s) - 12NC	928194805330
ILCOS code	MRS/UB-35/930-H-GX10-51/54.5/40
Net weight per piece	0.048 kg

## Warnings and Safety

- Use only with electronic control gear
- Control gear must include end-of-life protection (IEC61167, IEC 62035).

- A lamp breaking is extremely unlikely to have any impact on your health. If a lamp breaks, ventilate the room for 30 minutes and remove the parts, preferably with gloves. Put them in a sealed plastic bag and take it to your local waste facilities for recycling. Do not use a vacuum cleaner.

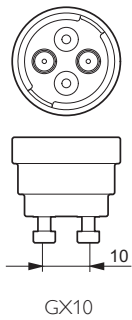
## Dimensional drawing



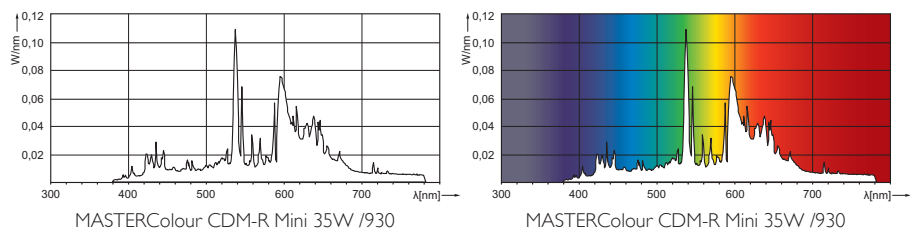
## MASTERColour CDM-Rm Elite Mini 35W/930 GX10 MR16 40D

Product	A (Max)	C (Norm)	C (Max)	C1 (Max)	D (Norm)	D (Max)
CDM-Rm 35W/930 GX10 MR16 40D	59	62.75	65.4	60.9	50	51

## Dimensional drawing



## Photometric data



© 2015 Koninklijke Philips N.V. (Royal Philips)  
All rights reserved.

Specifications are subject to change without notice. Trademarks are the property of Koninklijke Philips N.V. (Royal Philips) or their respective owners.

[www.philips.com/lighting](http://www.philips.com/lighting)

2015, July 11  
data subject to change