



MASTERColour CDM-Rm Elite Mini

MASTERColour CDM-Rm Elite Mini 35W/930 GX10 MR16 25D

Mini, very high-efficiency Ceramic Metal Halide discharge reflector lamp producing crisp white sparkling light with high color rendering

Product data

• General Characteristics

Cap-Base	GX10
Bulb	MR16 [2inch/50mm]
Bulb Finish	-
Operating Position	any [Any or Universal (U)]
Life to 5% failures	9000 hr
Life to 10% failures	10000 hr
Life to 20% failures	12000 hr
Life to 50% failures	15000 hr

Forward Lum Maintenance 15000h	86 %
Design Mean Lumens EL	2200 Lm
Chromaticity Coordinate X	0.439 -
Chromaticity Coordinate Y	0.403 -
Luminous flux in 90° cone	2150 Lm

• Light Technical Characteristics

Beam Description	-
Beam Angle	25 D
Beam Angle Technical	16.5 (min), 22 (nom), 27.5 (max) D
Luminous Intensity	8500 cd
Color Code	930 [CCT of 3000K]
Color Rendering Index	88 (min), 91 (nom) Ra8
Color Temperature	3000 K
Color Temperature Technical	3000 K
Forward Luminous Output	2200 (min), 2400 (nom) Lm
Forward Luminous Efficacy	61.5 Lm/W
LLMF - end nominal lifetime	86 %
Forward Lum Maintenance 2000h	95 %
Forward Lum Maintenance 4000h	93 %
Forward Lum Maintenance 8000h	90 %
Forward Lum Maintenance 12000h	87 %

• Electrical Characteristics

System Power EL	43 W
Lamp Wattage	35 W
Lamp Wattage EL	35 W
Lamp Wattage EL 25°C, Rated	39.0 W
Lamp Voltage	87 V
Lamp Current EL	0.450 A
Ignition Time	30 (max) s
Run-up time 90%	3 (max) min
Re-ignition Time [min]	15 (max) min
Dimmable	No
Warm-up Time to 60% Light Outp	120 s

• Environmental Characteristics

Energy Efficiency Label (EEL)	A
Mercury (Hg) Content	4.7 mg
Energy consumption kWh/1000h	43 kWh

PHILIPS

MASTERColour CDM-Rm Elite Mini

• UV-related Characteristics

Damage Factor D/fc PET (NIOSH)	0.4 (max) - 8 (min) h500lx
-----------------------------------	-------------------------------

• Measuring Conditions

Switching cycle	1350X
-----------------	-------

• Luminaire Design Requirements

Reflector Neck Temperature	315 (max) C
-------------------------------	-------------

• Product Dimensions

Reference Length A	59 (max) mm
Overall Length C	62.75 (nom), 65.4 (max) mm
Overall Length Rim C1	60.9 (max) mm
Diameter D	50 (nom), 51 (max) mm

• Product Data

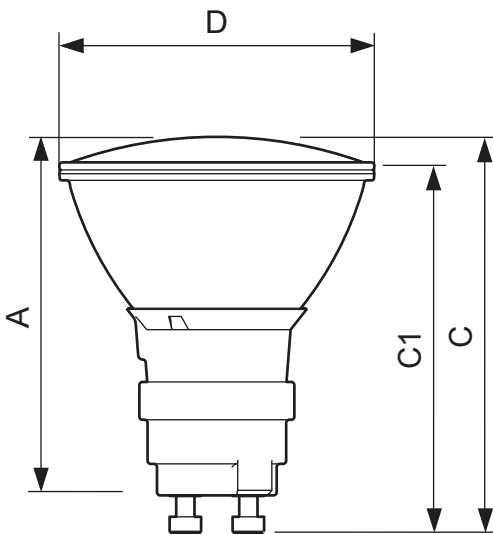
Order code	928194705330
Full product code	928194705330
Full product name	MASTERColour CDM-Rm Elite Mini 35W/930 GX10 MR16 25D
Order product name	CDM-Rm Elite Mini 35W/930 GX10 MR16 25D
Pieces per pack	1
Packing configuration	12
Packs per outerbox	12
Bar code on pack - EAN1	8718291163008
Bar code on outerbox - EAN3	8718291163015
Logistic code(s) - 12NC	928194705330
ILCOS code	MRS/UB-35/930-H-GX10-51/54.5/25
Net weight per piece	0.048 kg

Warnings and Safety

- Use only with electronic control gear
- Control gear must include end-of-life protection (IEC61167, IEC 62035).

- A lamp breaking is extremely unlikely to have any impact on your health. If a lamp breaks, ventilate the room for 30 minutes and remove the parts, preferably with gloves. Put them in a sealed plastic bag and take it to your local waste facilities for recycling. Do not use a vacuum cleaner.

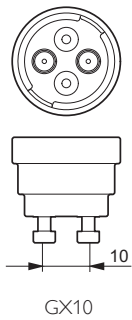
Dimensional drawing



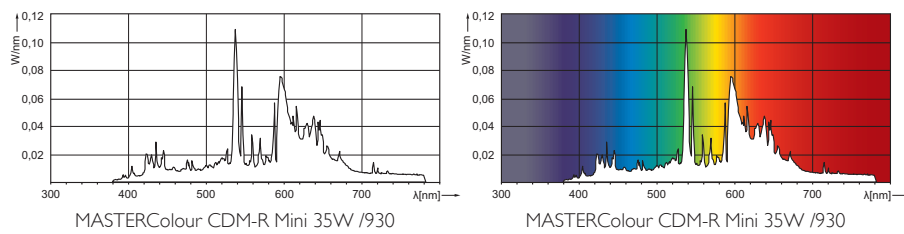
MASTERColour CDM-Rm Elite Mini 35W/930 GX10 MR16 25D

Product	A (Max)	C (Norm)	C (Max)	C1 (Max)	D (Norm)	D (Max)
CDM-Rm 35W/930 GX10 MR16 25D	59	62.75	65.4	60.9	50	51

Dimensional drawing



Photometric data



© 2015 Koninklijke Philips N.V. (Royal Philips)
All rights reserved.

Specifications are subject to change without notice. Trademarks are the property of Koninklijke Philips N.V. (Royal Philips) or their respective owners.

www.philips.com/lighting

2015, July 11
data subject to change