

InfraRed Healthcare Heat Incandescent

PAR38 IR 150W E27 230V Red 1CT

Philips infrared lamps for healthcare and bodycare applications are designed for treating deep-seated muscular ailments and sports injuries. These incandescent reflector lamps are an excellent solution to provide localized heat treatment to relieve muscular pain. They can also be used to treat rheumatic ailments. This form of heat therapy has also been shown to speed the healing of different kinds of injuries such as sports injuries and non-infected wounds, in many cases providing rapid and effective pain relief. The benefits of this form of heat therapy are based on locally enhanced blood circulation in the skin caused by vasodilatory response. This results in an increased transport rate of metabolites and other essential biochemical compounds. Benefits are also gained by deeper penetration of heat, which provides a gentle, pleasant warming effect.

Product data

• General Characteristics

Cap-Base	E27
Bulb	PAR38 [PAR 4.75 inch/121mm]
Bulb Material	Hard Glass
Bulb Finish	Red
Operating Position	any [Any or Universal (U)]
Main Application	Infrared Health
Nominal Lifetime	300 hr
Rated Lifetime (hours)	300 hr

• Electrical Characteristics

Lamp Wattage	150 W
Voltage	230 V
Dimmable	Yes

• Product Dimensions

Overall Length C	136 (max) mm
Overall Length Rim C1	124 (max) mm

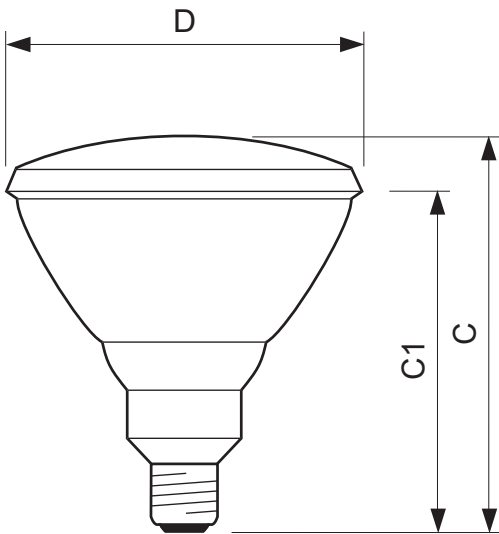
Diameter D 121 mm

• Product Data

Order code	923806644210
Full product code	923806644210
Full product name	PAR38 IR 150W E27 230V Red 1CT
Order product name	PAR38 IR 150W E27 230V Red 1CT/12
Pieces per pack	1
Packing configuration	12
Packs per outerbox	12
Bar code on pack - EAN1	8711500128874
Bar code on outerbox - EAN3	8727900207347
Logistic code(s) - 12NC	923806644210
Net weight per piece	308.000 gr

PHILIPS

Dimensional drawing



PAR38 IR 150W E27 230V Red 1CT

Product	C (Min)	C (Norm)	C (Max)	C1 (Min)	C1 (Norm)	C1 (Max)	D (Min)	D (Norm)	D (Max)
PAR38 IR 150W E27 230V Red	-	-	136	-	-	124	-	121	-



E27



© 2015 Koninklijke Philips N.V. (Royal Philips)
All rights reserved.

Specifications are subject to change without notice. Trademarks are the property of Koninklijke Philips N.V. (Royal Philips) or their respective owners.

www.philips.com/lighting

2015, July 15
data subject to change