

## HNS 30 W G13

PURITEC HNS UV-C | UV-C lamps for purification



### Areas of application

- Efficient disinfecting of air, water and surfaces

### Product family benefits

- Effective and environment-friendly disinfection without chemicals
- Low mercury content
- Long lifetime due to specific coating
- Ozone-free

### Product family features

- Dominant wavelength: 254 nm (OFR version)



# Product datasheet

## Technical data

### Product information

Order reference	HNS 30W G13
-----------------	-------------

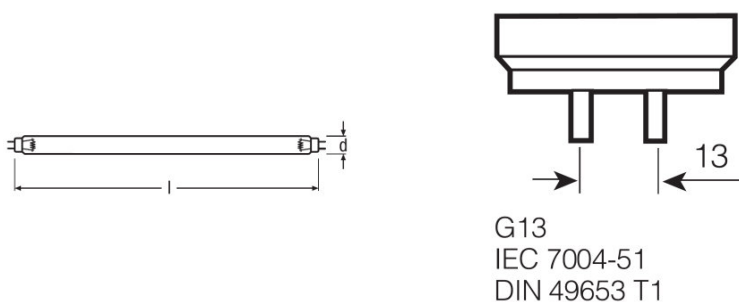
### Electrical data

Nominal voltage	96.0 V
Lamp voltage	96 V
Construction voltage	96.00 V
Nominal current	0.36 A
Lamp current	0.36 A
Nominal wattage	30.00 W

### Photometrical data

Luminous intensity	7800 cd
Radiated power 200...280 nm (UVC)	12 W

### Dimensions & weight



Diameter	26.0 mm
Length	895.0 mm

### Lifespan

Lifespan	9000 h
----------	--------

### Additional product data

Base (standard designation)	G13
-----------------------------	-----

### Capabilities

Dimmable	No
----------	----

## Product datasheet

<b>Burning position</b>	Any
-------------------------	-----

### Country specific categorizations

<b>Order reference</b>	HNS 30W G13
------------------------	-------------

### Country specific information

<b>Product code</b>	<b>METEL code</b>	<b>SEG-No.</b>	<b>STK number</b>	<b>UK Org</b>
4008321398888	OSRHNS30OFR	-	-	-
4008321770301	-	-	4933164	-

## Product datasheet

---

### Safety advice

PURITEC germicidal lamps emit high-intensity UV radiation that can cause sunburn and conjunctivitis. The skin and eyes must therefore not be exposed to direct or reflected unfiltered radiation.

---

### Logistical Data

Product code	Product description	Packaging unit (Pieces/Unit)	Dimensions (length x width x height)	Volume	Gross weight
4008321398888	HNS 30 W G13	Sleeves 1	912 mm x 31 mm x 42 mm	1.19 dm <sup>3</sup>	135.33 g
4008321398895	HNS 30 W G13	Shipping carton box 10	928 mm x 85 mm x 145 mm	11.44 dm <sup>3</sup>	1832.00 g
4008321398901	HNS 30 W G13	Shipping carton box 100	942 mm x 190 mm x 208 mm	37.23 dm <sup>3</sup>	7129.33 g
4008321770301	HNS 30 W G13	Sleeves 1	912 mm x 27 mm x 27 mm	0.66 dm <sup>3</sup>	160.00 g
4052899103368	HNS 30 W G13	Shipping carton box 25	930 mm x 150 mm x 155 mm	21.62 dm <sup>3</sup>	3847.00 g

---

The mentioned product code describes the smallest quantity unit which can be ordered. One shipping unit can contain one or more single products. When placing an order, for the quantity please enter single or multiples of a shipping unit.

---

### Disclaimer

Subject to change without notice. Errors and omission excepted. Always make sure to use the most recent release.

---