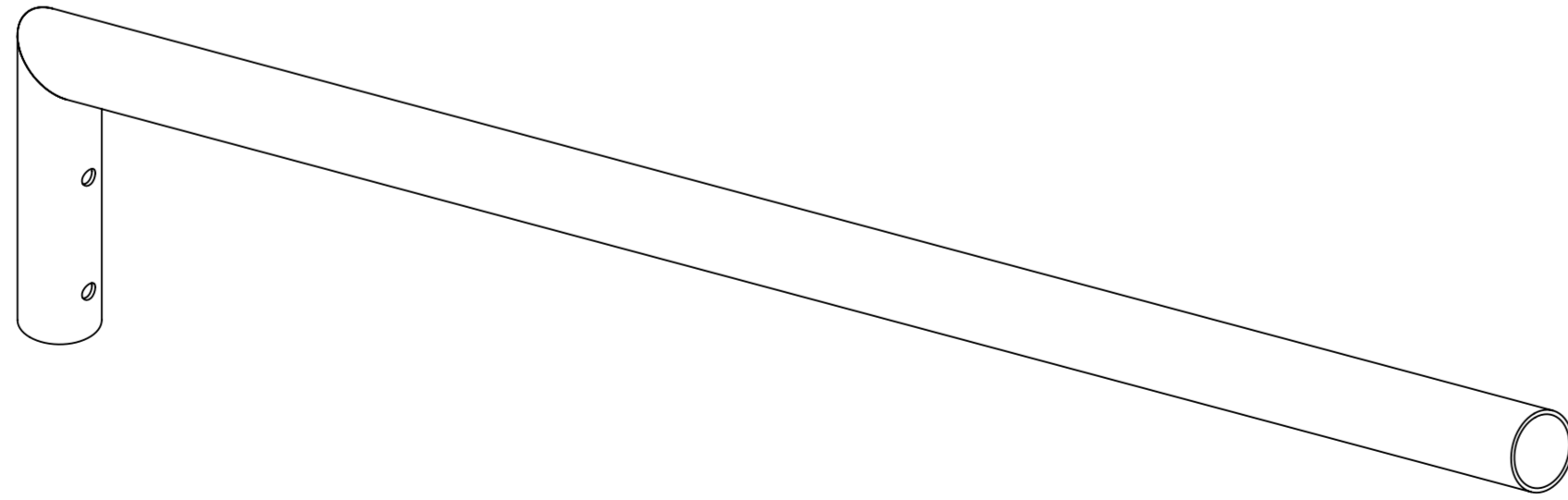
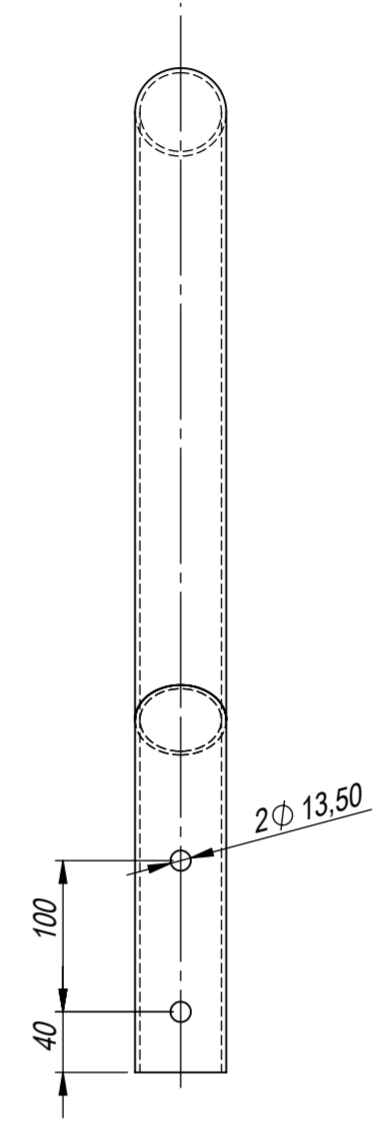
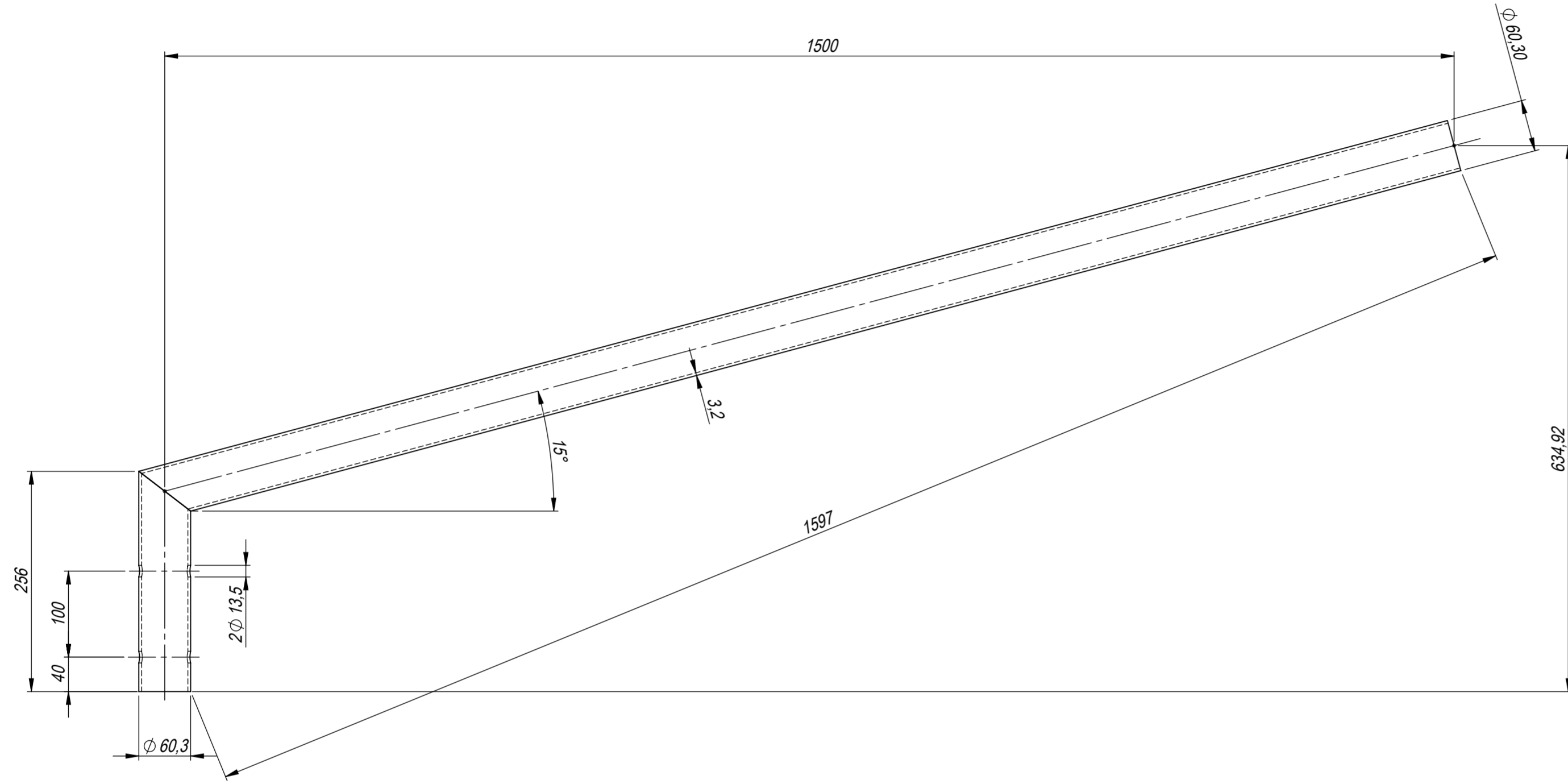


ALL RIGHTS RESERVED. REPRODUCTION OR ISSUE TO THIRD PARTIES IN ANY FORM WHATSOEVER IS NOT PERMITTED WITHOUT WRITTEN AUTHORITY FROM THE PROPRIETORS.

HER HAKKI MAHFUZDUR. YAZILI IZIN OLMADAN DOKÜMANLARIN HIÇ BİR KISMI KOPYA, KAYIT, BASIM VEYA DİĞER HERHANGİ BİR ŞEKİLDE ÇOĞALTILAMAZ VE YA YINLANAMAZ.



GENEL NOTLAR GENERAL NOTES

TÜM ÖLÇÜLER mm'DİR.
ALL DIMENSIONS ARE IN mm.
TÜM ÇELİK ELEMANLAR, CIVATA, SOMUN VE RONDELALAR SICAK DALDIRMA GALVANİZDİR. (EN ISO 1461)
ALL STEEL ITEMS, BOLTS, NUTS & WASHERS TO BE HOT-DIP GALV. AS PER (EN ISO 1461)
TASARIM KRİTERLERİNE GÖRE CIVATALAR (ISO 898) 5.8 & 6.8 & 8.8 OLARAK KULLANILABİLİR.
BOLTS CAN BE USED AS (ISO 898) 5.8 & 6.8 & 8.8 ACCORDING TO DESIGN CRITERIA.

ADI - SOYADI NAME - SURNAME	TARİH DATE	İMZA SIGN	MALZEME MATERIAL	TASARIM NOTLARI DESIGN NOTES
CİZEN DRAWN BY KSavas	3.10.2019		GÖVDE SHAFT S235	TASARIM RÜZGAR HIZI DESIGN WIND SPEED 130 km/H
KONTROL CONTROL I.YUCEL	3.10.2019		FLANŞ FLANGE S235	GÜVENLİK KATSAYISI FACTOR OF SAFETY 1.67
ONAY APPROVAL K.CANBALOGLU	3.10.2019		DİĞER OTHER S235	TASARIM STANDARTI DESIGN STANDART

PWR1-1500-15D OUTLINE

SİPTEK. NO ORDER NUMBER STANDART				REV A
PAFTA NO DRAWING NUMBER PWR1-1500-15D-R1				
TARİH DATE				
AĞIRLIK WEIGHT 7981.92				
BÖLÜM DEPARTMENT POLİGON	SHEET 1 OF 1	ÖLÇEK SCALE 1:10	A2	

