



LumiStreet

BGP213 LED14-4S/740 I DM50 D9 48/60A

LumiStreet Small - LED module 1400 lm - 740 neutral white - Safety class I - Distribution medium - Dimming via external communication DALI - Universal for diameter 48 to 60 mm adjustable

Many local authorities today have an outdated public lighting installation that urgently needs to be replaced, yet have only a limited budget available. We have the answer to their needs. With its compact design and modern LED architecture, LumiStreet is a versatile, cost-effective luminaire that fulfils basic functional road lighting requirements. It is made of high-quality components that ensure long lifetime and low maintenance cost. The result? A road lighting luminaire that provides effective illumination while at the same time cutting energy and maintenance bills.;Core version design for high-volume projects at relatively low initial budget. Offer limited range of optics.Performer version design for customer who are preparing big renovation projects, TCO oriented.

Product data

| General Information | | | |
|-------------------------------|---|----------------------|--|
| Number of light sources | 1 pc | Connection | Screw connection block 3-pole |
| Lamp family code | LED14 [LED module 1400 lm] | Cable | - |
| Light source color | 740 neutral white | Protection class IEC | Safety class I |
| Light source replaceable | Yes | Coating | - |
| Number of gear units | 1 unit | Glow-wire test | Temperature 850 °C, duration 5 s |
| Driver/power unit/transformer | Power supply unit with DALI interface | Flammability mark | - |
| Driver included | Yes | CE mark | CE mark |
| Optical cover/lens type | Flat glass | ENEC mark | ENEC mark |
| Luminaire light beam spread | 154° | Warranty period | 5 years |
| Embedded control | - | Optic type outdoor | Distribution medium |
| Control interface | DALI | Photocell | - |
| Light regulation | Dimming via external communication DALI | Remarks | *-Per Lighting Europe guidance paper "Evaluating performance of LED based |

| | |
|--|---|
| | luminaires - January 2018": statistically there is no relevant difference in lumen maintenance between B50 and for example B10. Therefore the median useful life (B50) value also represents the B10 value. |
| Supply cable type | - |
| Constant light output | No |
| Spare parts available | Yes |
| Number of products on MCB of 16 A type B | 20 |
| RoHS mark | - |
| WEEE mark | - |
| Light source engine type | LED |
| Serviceability class | Class A, luminaire is equipped with serviceable parts (when applicable): LED board, driver, control units, surge protection device, optics, front cover and mechanical parts |
| Product family code | BGP213 [LumiStreet Small] |

Light Technical

| | |
|--------------------------------|-----|
| Upward light output ratio | 0 |
| Scotopic/photopic lumen ratio | 1.6 |
| Standard tilt angle posttop | 0° |
| Standard tilt angle side entry | 0° |

Operating and Electrical

| | |
|--------------------|-------------|
| Input Voltage | 220-240 V |
| Input Frequency | 50 to 60 Hz |
| Inrush current | 22 A |
| Inrush time | 0.29 ms |
| Driver current | 301 mA |
| Power Factor (Min) | 0.87 |

Controls and Dimming

| | |
|----------|-----|
| Dimmable | Yes |
|----------|-----|

Mechanical and Housing

| | |
|-----------------------------|---|
| Housing Material | Aluminum die-cast |
| Reflector material | Polycarbonate |
| Optic material | Polycarbonate |
| Optical cover/lens material | Tempered glass |
| Fixation material | Aluminum |
| Mounting device | Universal for diameter 48 to 60 mm adjustable |
| Optical cover/lens shape | Flat |
| Optical cover/lens finish | Clear |

| | |
|--------------------------|----------------------|
| Torque | 15 |
| Overall length | 630 mm |
| Overall width | 270 mm |
| Overall height | 98 mm |
| Effective projected area | 0.038 m ² |

Approval and Application

| | |
|--|---|
| Ingress protection code | IP66 [Dust penetration-protected, jet-proof] |
| Mech. impact protection code | IK08 [5 J vandal-protected] |
| Surge Protection (Common/Differential) | Philips standard surge protection level |

Initial Performance (IEC Compliant)

| | |
|-------------------------------------|------------------------|
| Initial luminous flux (system flux) | 1204 lm |
| Luminous flux tolerance | +/-7% |
| Initial LED luminaire efficacy | 127 lm/W |
| Init. Corr. Color Temperature | 4000 K |
| Init. Color Rendering Index | 70 |
| Initial chromaticity | (0.380, 0.380) SDCM <5 |
| Initial input power | 9.5 W |
| Power consumption tolerance | +/-11% |

Over Time Performance (IEC Compliant)

| | |
|---|------|
| Control gear failure rate at median useful life | 10 % |
| 100000 h | |
| Lumen maintenance at median useful life* | L92 |
| 100000 h | |

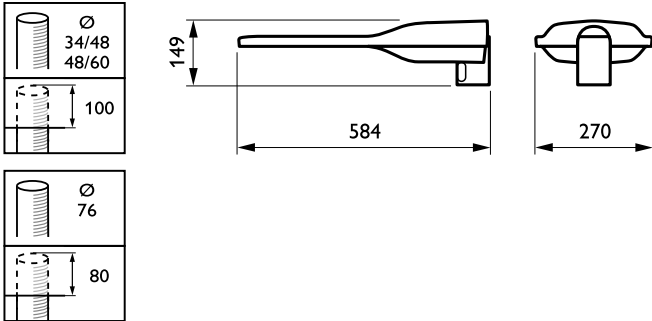
Application Conditions

| | |
|------------------------------------|---------------|
| Ambient temperature range | -30 to +35 °C |
| Performance ambient temperature Tq | 25 °C |
| Maximum dim level | 10% |

Product Data

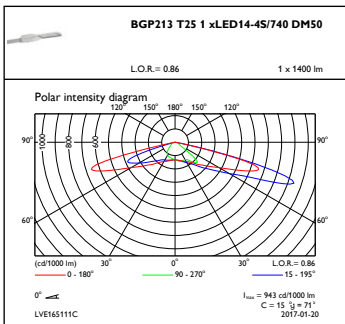
| | |
|---------------------------------|--------------------------------------|
| Full product code | 871869634855000 |
| Order product name | BGP213 LED14-4S/740 I DM50 D9 48/60A |
| EAN/UPC - Product | 8718696348550 |
| Order code | 910925863445 |
| Numerator - Quantity Per Pack | 1 |
| Numerator - Packs per outer box | 1 |
| Material Nr. (12NC) | 910925863445 |
| Net Weight (Piece) | 6.110 kg |

Dimensional drawing



LumiStreet Small BGP/BGS212/213

Photometric data



OFPC1_BGP213T251xLED14-4S740DM50

