



LumiStreet

BGP213 LED49-4S/740 I DM50 D9 48/60A

LumiStreet Small - LED module 4900 lm - 740 neutral white - Safety class I - Distribution medium - Dimming via external communication DALI - Universal for diameter 48 to 60 mm adjustable

Many local authorities today have an outdated public lighting installation that urgently needs to be replaced, yet have only a limited budget available. We have the answer to their needs. With its compact design and modern LED architecture, LumiStreet is a versatile, cost-effective luminaire that fulfils basic functional road lighting requirements. It is made of high-quality components that ensure long lifetime and low maintenance cost. The result? A road lighting luminaire that provides effective illumination while at the same time cutting energy and maintenance bills.;Core version design for high-volume projects at relatively low initial budget. Offer limited range of optics.Performer version design for customer who are preparing big renovation projects, TCO oriented.

Product data

General Information		Connection	Screw connection block 3-pole
Number of light sources	1 pc	Cable	-
Lamp family code	LED49 [LED module 4900 lm]	Protection class IEC	Safety class I
Light source color	740 neutral white	Coating	-
Light source replaceable	Yes	Glow-wire test	Temperature 850 °C, duration 5 s
Number of gear units	1 unit	Flammability mark	-
Driver/power unit/transformer	Power supply unit with DALI interface	CE mark	CE mark
Driver included	Yes	ENEC mark	ENEC mark
Optical cover/lens type	Flat glass	Warranty period	5 years
Luminaire light beam spread	154°	Optic type outdoor	Distribution medium
Embedded control	-	Photocell	-
Control interface	DALI	Remarks	*-Per Lighting Europe guidance paper "Evaluating performance of LED based luminaires - January
Light regulation	Dimming via external communication DALI		

	2018": statistically there is no relevant difference in lumen maintenance between B50 and for example B10. Therefore the median useful life (B50) value also represents the B10 value.
Supply cable type	-
Constant light output	No
Spare parts available	Yes
Number of products on MCB of 16 A type B	20
RoHS mark	-
WEEE mark	-
Light source engine type	LED
Serviceability class	Class A, luminaire is equipped with serviceable parts (when applicable): LED board, driver, control units, surge protection device, optics, front cover and mechanical parts
Product family code	BGP213 [LumiStreet Small]

Light Technical

Upward light output ratio	0
Scotopic/photopic lumen ratio	1.6
Standard tilt angle posttop	0°
Standard tilt angle side entry	0°

Operating and Electrical

Input Voltage	220-240 V
Input Frequency	50 to 60 Hz
Initial CLO power consumption	[DELETE] W
Average CLO power consumption	[DELETE] W
End CLO power consumption	[DELETE] W
Inrush current	22 A
Inrush time	0.29 ms
Driver current	563 mA
Power Factor (Min)	0.98

Controls and Dimming

Dimmable	Yes
----------	-----

Mechanical and Housing

Housing Material	Aluminum die-cast
Reflector material	Polycarbonate
Optic material	Polycarbonate
Optical cover/lens material	Tempered glass
Fixation material	Aluminum
Mounting device	Universal for diameter 48 to 60 mm adjustable
Optical cover/lens shape	Flat

Optical cover/lens finish	Clear
Torque	15
Overall length	630 mm
Overall width	270 mm
Overall height	98 mm
Effective projected area	0.038 m ²

Approval and Application

Ingress protection code	IP66 [Dust penetration-protected, jet-proof]
Mech. impact protection code	IK08 [5 J vandal-protected]
Surge Protection (Common/Differential)	Philips standard surge protection level

Initial Performance (IEC Compliant)

Initial luminous flux (system flux)	4165 lm
Luminous flux tolerance	+/-7%
Initial LED luminaire efficacy	134 lm/W
Init. Corr. Color Temperature	4000 K
Init. Color Rendering Index	70
Initial chromaticity	(0.381, 0.379) SDCM <5
Initial input power	31 W
Power consumption tolerance	+/-11%

Over Time Performance (IEC Compliant)

Control gear failure rate at median useful life	10 %
100000 h	
Lumen maintenance at median useful life*	L90
100000 h	

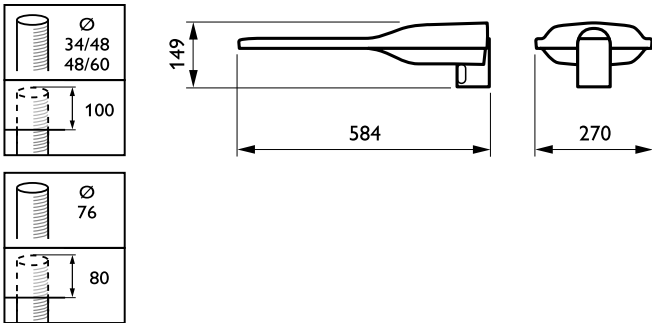
Application Conditions

Ambient temperature range	-30 to +35 °C
Performance ambient temperature Tq	25 °C
Maximum dim level	10%

Product Data

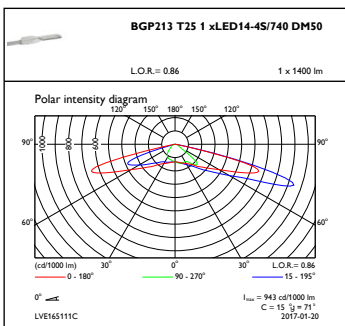
Full product code	871869634882600
Order product name	BGP213 LED49-4S/740 I DM50 D9 48/60A
EAN/UPC - Product	8718696348826
Order code	910925863472
Numerator - Quantity Per Pack	1
Numerator - Packs per outer box	1
Material Nr. (12NC)	910925863472
Net Weight (Piece)	6.110 kg

Dimensional drawing



LumiStreet Small BGP/BGS212/213

Photometric data



OFPC1_BGP213T251xLED14-4S740DM50

