



# Halogen Classic Reflector

Halogen Classic 42W E27 230V R80 25D 1CT

Philips Halogen Classic light bulbs offer the classical shapes you are used to. This new 'classic' gives high-quality light, is dimmable and starts immediately.

## Product data

### • General Characteristics

Cap-Base	E27
Bulb	R80 [R 80mm]
Bulb Finish	Frosted
Operating Position	any [Any or Universal (U)]
Nominal Lifetime	2000 hr
Rated Lifetime (hours)	2000 hr
Rated Lifetime (years)	2 an

### • Light Technical Characteristics

Beam Angle	25 D
Beam Angle Technical	25 (min) D
Luminous Intensity	800 (max) cd
Color Rendering Index	100 Ra8
Color Temperature	2800 K
Color Temperature Technical	2800 K
Rated Luminous Flux	255 Lm
LLMF - end nominal lifetime	80 (min) %
Rated Beam Angle	25 D
Luminous flux in 90° cone	255 Lm

### • Electrical Characteristics

Rated Wattage	42.0 W
Lamp Wattage	42 W
Lamp Wattage Technical	42 W
Power Factor	1 -
Voltage	230 V

Lamp Current	0.18 A
Dimmable	Yes
Starting Time	0.0 s
Warm-up Time to 60% Light Outp	instant full light

### • Environmental Characteristics

Energy Efficiency Label (EEL)	D
Energy consumption kWh/1000h	42 kWh

### • Measuring Conditions

Switching cycle	8000X
-----------------	-------

### • Luminaire Design Requirements

Cap-Base Temperature	130 (max) C
----------------------	-------------

### • Product Dimensions

Overall Length C	112 (max) mm
Diameter D	81 (max) mm

### • Product Data

Order code	925645444201
Full product code	925645444201
Full product name	Halogen Classic 42W E27 230V R80 25D 1CT
Order product name	Halogen Classic 42W E27 230V R80 25D 1CT
Pieces per pack	1
Packing configuration	10

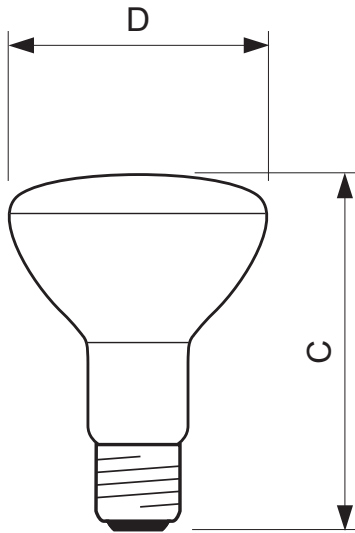
**PHILIPS**

# Halogen Classic Reflector

Packs per outerbox 10  
Bar code on pack - EAN1 8727900835304  
Bar code on outerbox - EAN3 8727900835311

Logistic code(s) - 925645444201  
12NC  
Net weight per piece 39.500 gr

## Dimensional drawing



## Halogen Classic 42W E27 230V R80 25D 1CT

Product	C (Max)	D (Max)
HalClass 42W E27 230V R80 25D FR	112	81



E27



© 2015 Koninklijke Philips N.V. (Royal Philips)  
All rights reserved.

Specifications are subject to change without notice. Trademarks are the property of Koninklijke Philips N.V. (Royal Philips) or their respective owners.

[www.philips.com/lighting](http://www.philips.com/lighting)

2015, September 24  
data subject to change