



Twistline Alu 2000 hours

Twistline Alu 2000h 25W GU10 230V 25D 1CT

Mains-voltage halogen burner in glass reflector. Ideal solution for small decorative luminaires, putting your objects in a superior-quality spot light. Aluminum coating prevents heat in the backlight.

Product data

• General Characteristics

Philips Code	-
Cap-Base	GU10
Bulb	-
Bulb Finish	Clear
Operating Position	any [Any or Universal (U)]
Life to 50% failures	2000 hr
Nominal Lifetime	2000 hr
Rated Lifetime (hours)	2000 hr
Rated Lifetime (years)	2 an

• Light Technical Characteristics

Beam Angle	25 D
Beam Angle Technical	25 D
Luminous Intensity	280 (max) cd
Color Rendering Index	100 Ra8
Color Temperature	2800 K
Color Temperature Technical	2800 K
Rated Luminous Flux	130 Lm
LLMF - end nominal lifetime	80 (min) %
Rated Beam Angle	25 D
Luminous flux in 90° cone	130 Lm

• Electrical Characteristics

Rated Wattage	25.0 W
Lamp Wattage	25 W
Lamp Wattage Technical	20 W

Power Factor	1 -
Voltage	230 V
Dimmable	Yes
Starting Time	0.0 s
Warm-up Time to 60% Light Outp	instant full light

• Environmental Characteristics

Energy Efficiency Label (EEL)	D
Energy consumption kWh/1000h	25 kWh

• Measuring Conditions

Switching cycle	8000X
-----------------	-------

• Product Dimensions

Overall Length C	51 (max) mm
Diameter D	50.7 (max) mm

• Product Data

Order code	924887044213
Full product code	924887044213
Full product name	Twistline Alu 2000h 25W GU10 230V 25D 1CT
Order product name	Tw Alu 2000h 25W GU10 230V 25D 1CT/50
Pieces per pack	1
Packing configuration	50
Packs per outerbox	50
Bar code on pack - EAN1	8711500652393

PHILIPS

Twistline Alu 2000 hours

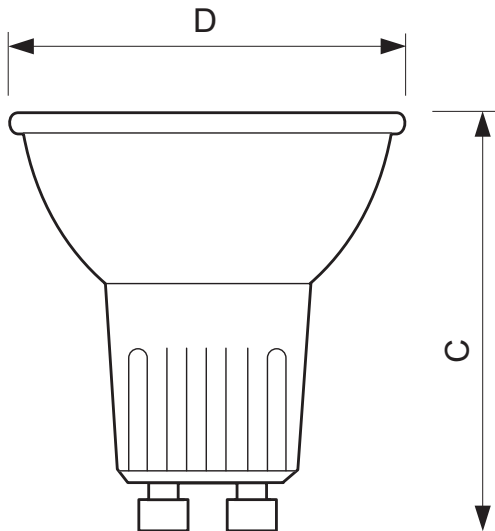
Bar code on
outerbox - EAN3
Logistic code(s) -
12NC

8711500652416

924887044213

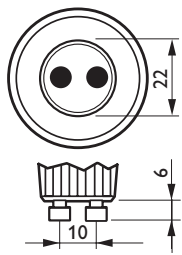
ILCOS code HAGS-20-230-GU10-51/40
Net weight per piece 0.007 kg

Dimensional drawing



Twistline Alu 2000h 25W GU10 230V 25D 1CT

Product	C (Max)	D (Max)
TWIST Alu 25W GU10 230V 25D	51	50.7



GU10



© 2015 Koninklijke Philips N.V. (Royal Philips)
All rights reserved.

Specifications are subject to change without notice. Trademarks are the property of Koninklijke Philips N.V. (Royal Philips) or their respective owners.

www.philips.com/lighting

2015, August 29
data subject to change