

MASTERCcolour CDM-T Elite MW

MASTERCcolour CDM-TMW Elite 315W/942 1CT

The medium wattage lighting system that gives superior, longer-lasting white light for both indoor and outdoor use

Product data

• General Characteristics

Cap-Base	PGZ18
Bulb	TMW28 [TMW 28mm]
Bulb Finish	Clear
Operating Position	any [Any or Universal (U)]
Life to 5% failures EL	12500 hr
Life to 10% failures EL	16000 hr
Life to 50% failures EL	30000 hr

• Light Technical Characteristics

Color Code	942 [CCT of 4200K]
Color Rendering Index	90 (min), 93 (nom) Ra8
Color Designation (text)	Cool White
Color Temperature	4140 K
Color Temperature Technical	4140 K
Luminous Flux Lamp EL	35500 Lm
Luminous Efficacy Lamp EL	113 Lm/W
Lumen Maintenance 2000h	98 %
Lumen Maintenance 5000h	94 %
Lumen Maintenance 8000h	88 %
Lumen Maintenance EL 10000h	86 %
Lumen Maintenance 12000h	82 %
Lumen Maintenance 20000h	81 %

Lumen Maintenance - 10% life	96 %
Lumen Maintenance - 40% life	82 %
Design Mean Lumens	31150 Lm
Chromaticity Coordinate X	0.376 -
Chromaticity Coordinate Y	0.379 -

• Electrical Characteristics

Lamp Wattage	315 W
Lamp Wattage EL 25°C, Rated	315.0 W
Lamp Wattage EL 25°C, Nominal	315.0 W
Lamp Voltage	100 V
Lamp Current EL	3.15 A
Lamp Current Run-Up	4.7 A
Ignition Time	3 (max) s
Run-up time 90%	3 (max) min
Re-ignition Time [min]	10 (max) min

• Environmental Characteristics

Energy Efficiency Label (EEL)	A+
Mercury (Hg) Content	24 (max) mg
Picogram per Lumen Hour	25 p/LuHr
Energy consumption kWh/1000h	346 kWh

• UV-related Characteristics

Damage Factor D/fc	0.242 -
PET (NIOSH)	49.7 h500lx
UV A	7.76 mW/cm ²
UV B	0.01 mW/cm ²
UV C	0.06 mW/cm ²

• Luminaire Design Requirements

Cap-Base Temperature	250 C
Pinch Temperature	300 (max) C
Bulb Temperature	600 (max) C

• Product Dimensions

Overall Length C	186 (nom), 188 (max) mm
Diameter D	28 (nom), 29 (max) mm
Light Center Length L	88 (min), 90 (nom), 92 (max) mm
Arc Length O	14 mm
Maximum Overall Length [inch]	7.44 (max) in

Light Center Length L [inch]	3.54 in
Diameter D [inch]	1.1 in

• Product Data

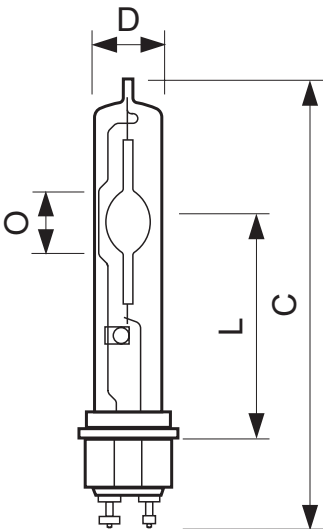
Order code	928601164830
Full product code	928601164830
Full product name	MASTERColour CDM-TMW Elite 315W/942 1CT
Order product name	MASTERC CDM-TMW Elite 315W/942 1CT
Pieces per pack	1
Packing configuration	12
Packs per outerbox	12
Bar code on pack - EAN1	8727900801781
Bar code on outerbox - EAN3	8727900801798
Logistic code(s) - 12NC	928601164830
ILCOS code	MT-315/42/1A-H-PGZ18
Net weight per piece	0.143 kg

Warnings and Safety

- Use only in totally enclosed luminaire, even during testing, except for protected versions with PGZX18 cap, which are designed for open luminaires (IEC61167, IEC 62035, IEC60598)
- The luminaire must be able to contain hot lamp parts if the lamp ruptures
- Use only with electronic control gear

- Control gear must include end-of-life protection (IEC61167, IEC 62035)
- A lamp breaking is extremely unlikely to have any impact on your health. If a lamp breaks, ventilate the room for 30 minutes and remove the parts, preferably with gloves. Put them in a sealed plastic bag and take it to your local waste facilities for recycling. Do not use a vacuum cleaner.

Dimensional drawing



MASTERColour CDM-TMW Elite 315W/942 1CT

Product	C (Norm)	C (Max)	D (Norm)	D (Max)
CDM TMW 315W/942 PGZ18 U	186	188	28	29



© 2015 Koninklijke Philips N.V. (Royal Philips)
All rights reserved.

Specifications are subject to change without notice. Trademarks are the property of Koninklijke Philips N.V. (Royal Philips) or their respective owners.

www.philips.com/lighting

2015, June 3
data subject to change