



PrimaVision Power for CDM

HID-PV C 150 /S CDM 220-240V 50/60Hz

PrimaVision Power gear is designed for optimal performance of 100 and 150 W CDM lamps – ideal where high-intensity light is key.

Product data

• General Information

Lamp Type	CDM
Number Of Lamps	1 piece/unit
Suitable For Outdoor Use	No
Number Of Products On MCB (16A Type B) (Nom)	6
Automatic Restart	Yes

• Operating and Electrical

Input Voltage	220 to 240 V
Input Frequency	50-60_1 Hz
Operating Frequency (Nom)	0.14 kHz
Power Factor 100% Load (Nom)	0.95
Ignition Voltage (Max)	5.0 kV
Ignition Switch-Off Time (Nom)	20 min
Mains Voltage Performance (AC)	-10%+6%
Mains Voltage Safety (AC)	-18%+10%
Earth Leakage Current (Max)	0.35 mA
Inrush Current	.50 ms
Width	
Constant Wattage Deviation	-3%/+3%
Power Losses (Nom)	10 W
Inrush Current Peak (Max)	50 A

• Wiring

Cable Capacity	200 pF
Output Wires Mutual (Nom)	
Cable Length From Device To Lamp	2.0 m
Wire Striplength	10.0-11.0 mm
Ballast Contact Wire Cross Section	0.50-2.50 mm ²
Connector Type	Insert

• System characteristics

Rated Ballast-Lamp Power	150 W
--------------------------	-------

• Temperature

T-Ambient (Max)	60 °C
T-Ambient (Min)	-20 °C
T-Storage (Max)	85 °C
T-Storage (Min)	-25 °C
T-Case Lifetime (Nom)	75 °C
T-Case Maximum (Max)	85 °C

• Mechanical and Housing

Housing	/S
---------	----

• Approval and Application

Active Temperature Protection	Yes
EMI 9 kHz ... 300 MHz	CISPR 15 ed 7.2

PHILIPS

PrimaVision Power for CDM

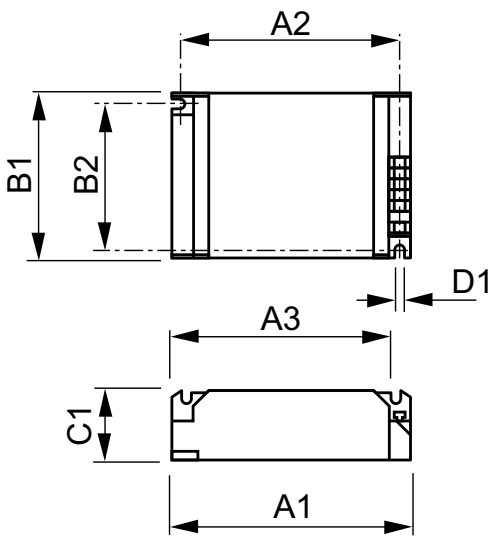
Vibration Standard IEC 60068-2-6 Fc
 Bumps Standard IEC 60068-2-29 Eb
 Approval Marks F-Marking
 CE marking
 VDE certificate
 VDE-EMV certificate
 CB Certificate
 Hum And Noise Level Inaudible

Order product name HID-PV C 150 /S CDM 220-240V 50/60Hz
 EAN/UPC - Product 8711500910523
 Order code 913700614066
 Numerator - Quantity Per Pack 1
 Numerator - Packs per outer box 12
 Material Nr. (12NC) 913700614066
 Net Weight (Piece) 0.360 kg

• **Product Data**

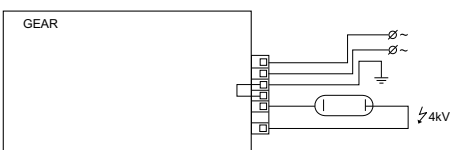
Full product code 871150091052330

Dimensional drawing



HID-PV C 150 /S CDM 220-240V 50/60Hz

Product	D1	C1	A1	A2	B1	B2
HID-PV C 150 /S CDM 220-240V 50/60Hz	4.8 mm	32.0 mm	135.0 mm	123.5 mm	75.0 mm	63.5 mm



© 2016 Philips Lighting Holding B.V.
 All rights reserved.

Specifications are subject to change without notice. Trademarks are the property of Koninklijke Philips N.V. (Royal Philips) or their respective owners.

www.philips.com/lighting

2016, March 15
 data subject to change