

PrimaVision Xtreme for CPO

HID-PV Xt 90 CPO C1 208-277V

Highly reliable electronic drivers for CPO lamps; designed to save energy by offering better light efficiency than magnetic drivers and to reduce maintenance costs thanks to 80,000-hour lifetime and integrated lightning protection

Product data

• General Information

Lamp Type	CPO
Number Of Lamps	1 piece/unit
Suitable For Outdoor Use	Yes
Number Of Products On MCB (16A Type B) (Nom)	5
Default Lamp Selected	CPO90
Automatic Restart	Yes

• Operating and Electrical

Input Voltage	208-240-277 V
Input Frequency	50-60_1 Hz
Minimum Mains Voltage Operation (Min)	172 V
Operating Frequency (Nom)	0.40 kHz
Power Factor 100% Load (Nom)	0.98
Ignition Voltage (Max)	5 kV
Ignition Switch-Off Time (Nom)	20 min
Mains Voltage Performance (AC)	188-305V
Mains Voltage Safety (AC)	160-305V
Earth Leakage Current (Max)	0.7 mA
Output Peak Voltage (Max)	250 V
Inrush Current Width	0.47 ms

Lamp Power Tolerance	-3%/+3%
Input Current (Nom)	0.49 A
Inrush Current Peak (Max)	52 A

• Wiring

Cable Capacity	1000 pF
Output Wires Mutual (Nom)	
Cable Length From Device To Lamp	10 m
Wire Striplength	10.0-11.0 mm
Ballast Contact Wire Cross Section	0.50-2.50 mm ²
Connector Type	WAGO series 804

• System characteristics

Rated Ballast-Lamp Power	90 W
Rated Lamp Power On CPO	90 W
System Power On CPO	98 W
Lamp Power On CPO	90 W
Power Loss On CPO While Dimming	8 W
	5.5 W

• Temperature

T-Ambient (Max)	50 °C
T-Ambient (Min)	-30 °C
T-Storage (Max)	50 °C

PHILIPS

PrimaVision Xtreme for CPO

T-Storage (Min)	-30 °C
T-Case Lifetime (Nom)	80 °C
T-Case Switch Off (Min)	92 °C

• Controls and Dimming

Programmable Lamp Settings	-
Pre-Set Integrated Controls	-
Programmable Dimming Options	-
Control Input Protection	Yes (Basic insulation)
Regulating Level	-

• Mechanical and Housing

Housing	C1
---------	----

• Approval and Application

Surge Protection (Common/Differential)	EN61547 (L-L 2kV, L-G 4kV), 10kV TIL kV
IP Classification Luminaire	34
Active Temperature Protection	Yes
EMI 9 kHz ... 300 MHz	CISPR 15 ed 7.2

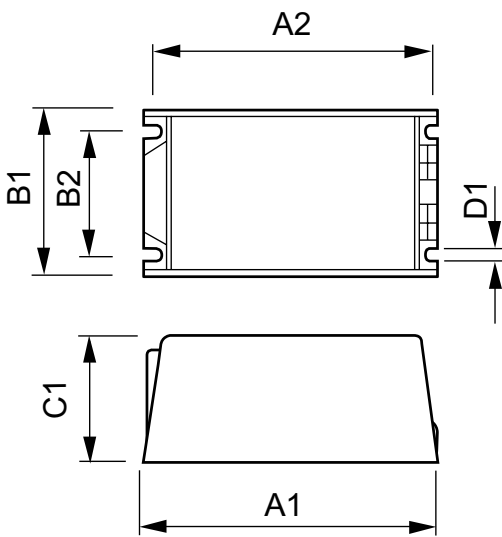
Safety Standard	IEC 607, 609, 926, 928 [No Standard for HID Lamp drivers exists. Requirements in these standards to be used if considered relevant for the product.]
-----------------	---

Quality Standard	ISO 9000:2000
Environmental Standard	ISO 14001
Harmonic Current Emission Standard	IEC 61000-3-2
Vibration Standard	IEC 68-2-6 Fc (10-150Hz, 2G)
Bumps Standard	IEC 68-2-29 Eb (10G/16ms)
Humidity Standard	EN 61347-2-12 clause 11
Approval Marks	F-Marking CE marking ENEC certificate VDE-EMV certificate
Hum And Noise Level	< 30 dB(A)

• Product Data

Full product code	871829119844400
Order product name	HID-PV Xt 90 CPO C1 208-277V
EAN/UPC - Product	8718291198444
Order code	913700673166
Numerator - Quantity Per Pack	1
Numerator - Packs per outer box	12
Material Nr. (12NC)	913700673166
Net Weight (Piece)	0.950 kg

Dimensional drawing

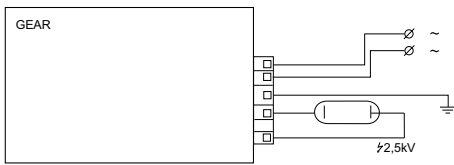


HID-PV Xt CPO C1

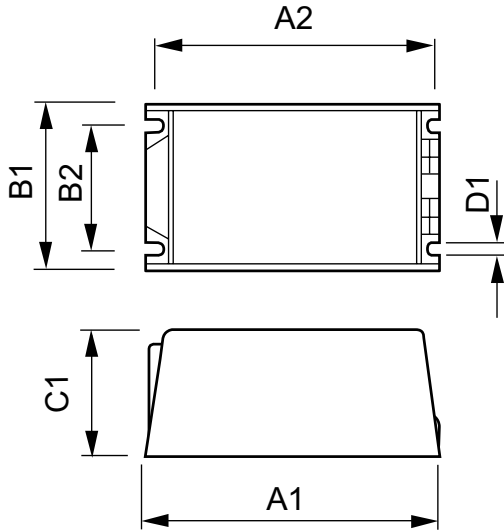
HID-PV Xt 90 CPO C1 208-277V

Product	D1	C1	A1	A2	B1	B2
HID-PV Xt 90 CPO C1 208-277V	5.0 mm	65.0 mm	150.0 mm	135.9 mm	65.0 mm	46.8 mm

Dimensional drawing

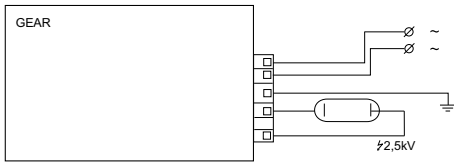


HID-PV Xt CPO C1



HID-PV Xt 90 CPO C1 208-277V

Product	D1	C1	A1	A2	B1	B2
HID-PV Xt 90 CPO C1 208-277V	5,0 mm	65,0 mm	150,0 mm	135,9 mm	65,0 mm	46,8 mm



HID-PV Xt CPO C1



© 2015 Philips Lighting Holding B.V.
All rights reserved.

Specifications are subject to change without notice. Trademarks are the property of Koninklijke Philips N.V. (Royal Philips) or their respective owners.

www.philips.com/lighting

2015, December 24
data subject to change