



HF-Essential II for TL5/TL-D

HF-E 236 TL-D II 220-240V 50/60Hz

Essentially smart and reliable HF-Essential II is the most cost-effective solution for reliable operation of a fluorescent lamp. It is also the ideal entry-level product for electromagnetic system users who want to take advantage of the benefits provided by electronic ballasts. The cost-saving and reliable HF-Essential II is energy efficiency class A2, and its robust design meets all relevant international safety and performance standards. HF-Essential II is the ideal choice for a broad range of new construction and retrofit applications within the commercial sector, including general surface mounting and office lighting, parking garages, warehouses and other applications.

Product data

• General Information-

Lamp Type	TL-D II
Number Of Lamps	2 piece/unit
Number Of Products	16
On MCB (16A Type B) (Nom)	
Automatic Restart	Yes

• Operating and Electrical

Input Voltage	220 to 240 V
Input Frequency	50/60 Hz
Operating Frequency (Nom)	44.9 kHz
Crestfactor (Nom)	1.8
Power Factor 100%	0.97
Load (Nom)	
Preheat Time	1.4 s
Mains Voltage	220-240V
Performance (AC)	
Mains Voltage Safety (AC)	184-276V
Earth Leakage Current (Max)	0.5 mA
Inrush Current	0.37 ms
Width	
Ballast Factor (Nom)	0.95
Power Losses (Nom)	8.4 W
Inrush Current Peak (Max)	20 A

• Wiring

Connector Type	Insert
Input Terminals	
Cable Capacity	150 pF
Output Wires Mutual (Max)	
Connector Type	Insert
Output Terminals	
Cable Length Hot	0.75 m
Wiring	
Wire Striplength	8.0-9.0 mm
Dual Fixture Master/Slave	Possible, lamp wires 0.75m max. length [Master/Slave operation possible]
Input Terminal Cross Section	0.50-1.50 mm ²
Output Terminal Cross Section	0.50-1.50 mm ²
Cable Capacity Cold	150 pF
Output Wires - Earth (Max)	
Cable Capacity Hot	150 pF
Output Wires - Earth (Max)	

• System characteristics

Rated Ballast-Lamp Power	36 W
Lamp Power On TL-D	30.07/29.95 W

PHILIPS

• Temperature

T-Ambient (Max)	50 °C
T-Ambient (Min)	-10 °C
T-Storage (Max)	50 °C
T-Storage (Min)	-20 °C
T-Case Lifetime (Nom)	80 °C
T-Case Maximum (Max)	80 °C

• Mechanical and Housing

Housing	L 211x40x28.7
---------	---------------

• Emergency Operation

Nominal Light Output After 60 Seconds	100% of EBLF
Normal Operating Voltage (DC)	220-240 V
Battery Voltage	176-275 V
Guaranteed Operation	
Battery Voltage	186-275 V
Guaranteed Ignition	
Emergency Ballast	0.7 %
Lumen Factor (EBLF) (Nom)	
Nominal Light Output After 5 Seconds	50% of EBLF

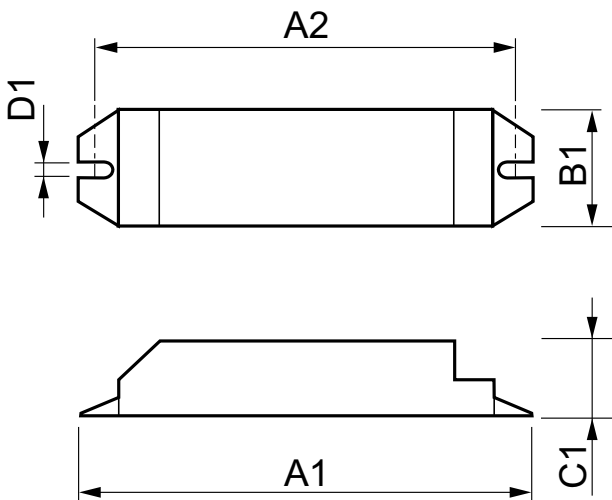
• Approval and Application

Energy Efficiency Index	A2
EMI 9 kHz ... 30 MHz	EN55015
Vibration Standard	IEC 60068-2-6:2007-Fc
Bumps Standard	IEC 60068-2-29 Eb
Approval Marks	CE marking CB Certificate KEMA Keur certificate RoHS Compliant
Hum And Noise Level	< 30 dB(A)

• Product Data

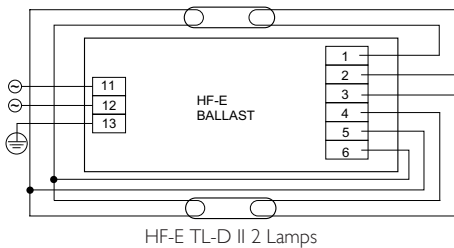
Full product code	871829177058900
Order product name	HF-E 236 TL-D II 220-240V 50/60Hz
EAN/UPC - Product	8718291770589
Order code	913713041166
Numerator - Quantity Per Pack	1
Numerator - Packs per outer box	20
Material Nr. (12NC)	913713041166
Net Weight (Piece)	0.155 kg

Dimensional drawing



HF-E 236 TL-D II 220-240V 50/60Hz

Product	D1	C1	A1	A2	B1
HF-E 236 TL-D II 220-240V 50/60Hz	4.2 mm	28.7 mm	211.0 mm	198.0 mm	39.6 mm





© 2016 Philips Lighting Holding B.V.
All rights reserved.

Specifications are subject to change without notice. Trademarks are the property of Koninklijke Philips N.V. (Royal Philips) or their respective owners.

www.philips.com/lighting

2016, March 9
data subject to change