



HF-Performer III for TL5 lamps

HF-P 280 TL5/PL-L III 220-240V 50/60Hz

HF-Performer III TL5 ballasts offer maximum versatility and meet all of the necessary commercial grade specifications. They also offer the added benefits of lamp striation reduction technology, making these ballasts compatible with energy-saving TL5 ECO lamps. As such, these ballasts are part of an overall high-efficiency lighting system that may help you or your customers to achieve any international or local energy code you need to comply with. HF-Performer III TL5 ballasts are the ideal choice for a broad range of new construction and retrofit applications within the commercial sector, including general surface mounting or office lighting, parking garages, warehouses, waterproof and other applications.

Product data

• General Information

| | |
|---------------------------|--------------|
| Application Code | III |
| Type Version | mk1 |
| Lamp Type | TL5/PL-L |
| Number Of Lamps | 2 piece/unit |
| Number Of Products | 12 |
| On MCB (16A Type B) (Nom) | |
| Automatic Restart | Yes |

• Operating and Electrical

| | |
|-----------------------------|--------------|
| Input Voltage | 220 to 240 V |
| Input Frequency | 50-60_1 Hz |
| Operating Frequency (Nom) | 45 kHz |
| Ignition Method | Warm Start |
| Crestfactor (Max) | 1.7 |
| Power Factor 100% | 0.99 |
| Load (Nom) | |
| Ignition Time (Max) | 1.2 s |
| Mains Voltage | -8%+6% |
| Performance (AC) | |
| Mains Voltage Safety (AC) | -10%+10% |
| Earth Leakage Current (Nom) | 0.5 mA |
| Inrush Current | 0.40 ms |
| Width | |
| Constant Wattage Deviation | -2%+2% |
| Ballast Factor (Nom) | 1.01 |

| | |
|---------------------------|-------------|
| Power Losses (Nom) | 9.64-7.45 W |
| Inrush Current Peak (Max) | 40 A |

• Wiring

| | |
|-------------------------------|---|
| Connector Type | WAGO 251 universal connector |
| Input Terminals | [Suitable for both automatic wiring (ALF and ADS) and manual wiring] |
| Cable Capacity | 200 pF |
| Output Wires Mutual (Nom) | |
| Connector Type | WAGO 251 universal connector |
| Output Terminals | [Suitable for both automatic wiring (ALF and ADS) and manual wiring] |
| Cable Length Hot Wiring | 0.75 m |
| Wire Striplength | 8.0-9.0 mm |
| Dual Fixture Master/Slave | Not applicable [Master/Slave oper. not applicable] |
| Input Terminal Cross Section | 0.50-1.00 mm ² |
| Output Terminal Cross Section | 0.50-1.00 mm ² |
| Cable Capacity | 200 pF |
| Output Wires To Earth (Nom) | |

• System characteristics

| | |
|--------------------------|------|
| Rated Ballast-Lamp Power | 80 W |
|--------------------------|------|

PHILIPS

HF-Performer III for TL5 lamps

| | |
|--------------------------|--------|
| Rated Lamp Power On PL-L | 80 W |
| System Power On PL-L | 87.5 W |
| Lamp Power On PL-L | 80 W |
| Power Loss On PL-L | 7.5 W |
| Rated Lamp Power On TL5 | 80 W |
| System Power On TL5 | 89.6 W |
| Lamp Power On TL5 | 80 W |
| Power Loss On TL5 | 9.6 W |

• Temperature

| | |
|-----------------------|--------|
| T-Ambient (Max) | 60 °C |
| T-Ambient (Min) | -25 °C |
| T-Storage (Max) | 50 °C |
| T-Storage (Min) | -40 °C |
| T-Case Lifetime (Nom) | 85 °C |
| T-Case Maximum (Max) | 85 °C |
| T-Ignition (Max) | 60 °C |
| T-Ignition (Min) | -25 °C |

• Mechanical and Housing

| | |
|---------|-------------|
| Housing | L 425x30x21 |
|---------|-------------|

• Emergency Operation

| | |
|---|--------------|
| Nominal Light Output After 60 Seconds | 100% of EBLF |
| Battery Voltage Lamp Ignition | 186-275 V |
| Normal Operating Voltage (DC) | 220-240 V |
| Battery Voltage Lamp Operation | 176-275 V |
| Battery Voltage Guaranteed Operation | 176-275 V |
| Battery Voltage Guaranteed Ignition | 186-275 V |
| Emergency Ballast Lumen Factor (EBLF) (Nom) | 0.7 % |

| | |
|--------------------------------------|-------------|
| Nominal Light Output After 5 Seconds | 50% of EBLF |
|--------------------------------------|-------------|

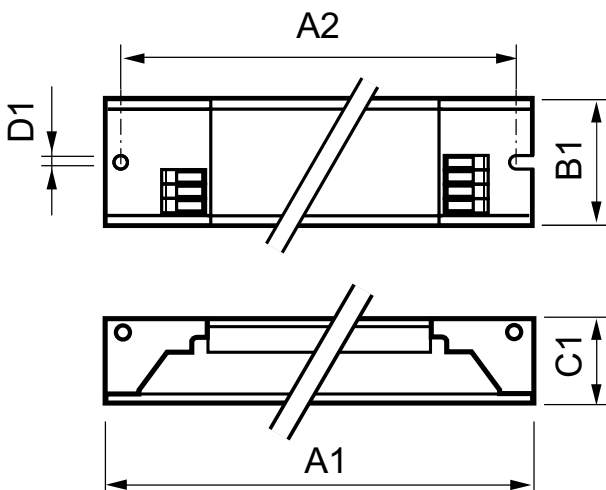
• Approval and Application

| | |
|------------------------------------|---|
| Energy Efficiency Index | A2 BAT |
| EMI 9 kHz ... 30 MHz | EN 55015 edition 7.1 |
| EMI 30 MHz ... 1000 MHz | Level = Class |
| Safety Standard | IEC 61347-2-3 |
| Performance Standard | IEC 60929 |
| Quality Standard | ISO 9000:2000 |
| Environmental Standard | ISO 14001 |
| Harmonic Current Emission Standard | IEC 61000-3-2 |
| EMC Immunity Standard | IEC 61547 |
| Vibration Standard | IEC 68-2-6 Fc |
| Bumps Standard | IEC 68-2-29 Eb |
| Humidity Standard | EN 61347-2-3 clause 11 |
| Approval Marks | CE marking ENEC certificate VDE-EMV certificate |
| Temperature Marking | Yes |
| Emergency Standard | IEC 60598-2-22 |
| Hum And Noise Level | < 30 dB(A) |

• Product Data

| | |
|---------------------------------|--|
| Full product code | 872790095230800 |
| Order product name | HF-P 280 TL5/PL-L III 220-240V 50/60Hz |
| EAN/UPC - Product | 8727900952308 |
| Order code | 913713034366 |
| Numerator - Quantity Per Pack | 1 |
| Numerator - Packs per outer box | 12 |
| Material Nr. (12NC) | 913713034366 |
| Net Weight (Piece) | 0.360 kg |

Dimensional drawing

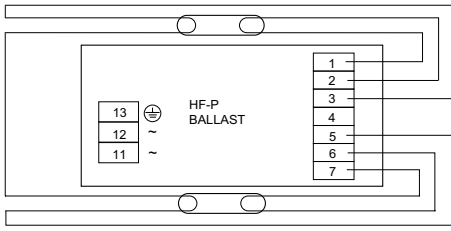


HF-P 280 TL5/PL-L III 220-240V 50/60Hz

| Product | D1 | C1 | A1 | A2 | B1 |
|--|--------|---------|----------|----------|---------|
| HF-P 280 TL5/PL-L III 220-240V 50/60Hz | 4.2 mm | 21.0 mm | 425.0 mm | 415.0 mm | 30.0 mm |

HF-Performer III for TL5 lamps

Dimensional drawing



Photometric data

| Ballast type | Lamp type | Lamp power | T _a = 40°C | T _a = 50°C | T _a = 60°C | Remarks T _a max = 50°C | |
|--|------------|------------|-----------------------|-----------------------|-----------------------|--------------------------------------|---|
| HF-P 380 TL5 PL-L III 220-240V 50/60Hz | TL5 HO | 80W | T _c | +65°C | +75°C | +83°C | X |
| | TL5 HO ECO | 73W | | | | | |
| | PL-L | 80W | Lifetime | 100,000 Hrs | 95,000 Hrs | 57,000 Hrs | X |



© 2015 Philips Lighting Holding B.V.
All rights reserved.

Specifications are subject to change without notice. Trademarks are the property of Koninklijke Philips N.V. (Royal Philips) or their respective owners.

www.philips.com/lighting

2015, December 23
data subject to change