



Xitanium/Fortimo LED Drivers Indoor

Xitanium 50W/S 0.3-1A 62V 230V

The new Fortimo and Xitanium electronic LED drivers are specially designed to operate LED solutions for general lighting applications. There are Xitanium LED driver versions in 17W / 24V, 25W / 36V and 45W / 80V. There are fixed-output and dimmable (trailing edge and Touch & DALI) versions. The high output voltage (up to 80V) and adjustable output current (200 to 700mA) enable operation of many LEDs (high light output) and flexibility in LED fixture design. The output current can be set by placing a resistor on your LED PCB (Level 2 board). The new housing design incorporates three different mounting options: independent, screw and click mounting. The 25W and 45W versions also feature a 12V output to operate active cooling or decorative LED light effects. The Xitanium LED driver 45W/80V is available in fixed-output version in an independent housing.

Product data

• General Information

Number Of Products On MCB (16A Type B) (Max)	26
--	----

• Operating and Electrical

Input Frequency	50-60_1 Hz
Total Harmonic Distortion IEC (Max)	20 %
12V Output	Yes
Output Current	20 %
Ripple (Nom)	
Maximum Efficiency	90-90 %
Power Factor 100% Load (Min)	0.9
Output Current (Nom)	300-1000 mA
Output Current Tolerance (Max)	5 %
Output Current Tolerance (Min)	-5 %
Input Voltage (AC)	220-240 V
Earth Leakage Current (Max)	0.7 mA
Input Voltage (DC)	186-250 V

Input Power (Nom)	60 W
Inrush Current Peak (Max)	20 A
Output Power (Nom)	14-50 W
Output Voltage	31-62 V
Inrush Current Width To 50% Of Peak	275 μs

• Wiring

Connector Type	Wago 250
Input Terminals	
Hot Wiring	Yes
Connector Type	Wago 250
Output Terminals	

• Temperature

T-Ambient (Max)	50 °C
T-Ambient (Min)	-20 °C
T-Storage (Max)	85 °C
T-Storage (Min)	-25 °C
T-Case Lifetime (Nom)	65 °C

PHILIPS

Xtitanium/Fortimo LED Drivers Indoor

T-Case Maximum (Max) 75 °C

IP Classification 20
Isolation Classification SELV

• Controls and Dimming

Control Interface None

• Mechanical and Housing

Housing L110x75x32

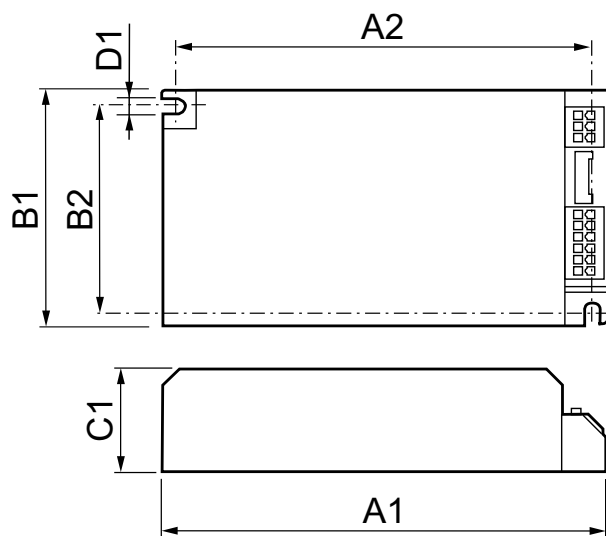
• Approval and Application

Relative Humidity (Operation) (Max) 90 %
Relative Humidity (Operation) (Min) 10 %

• Product Data

Full product code 871829167615700
Order product name Xtitanium 50W/S 0.3-1A 62V 230V
EAN/UPC - Product 8718291676157
Order code 929000853603
Numerator - Quantity Per Pack 1
Numerator - Packs per outer box 10
Material Nr. (12NC) 929000853603
Net Weight (Piece) 0.172 kg

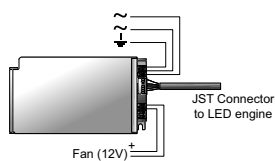
Dimensional drawing



Xtitanium 36W/s & 50W/s 0.3-1A

Xtitanium 50W/s 0.3-1A 62V 230V

Product	D1	A2	C1	A1	B1
Xtitanium 50W/S 0.3-1A 62V 230V	4.1 mm	99.0 mm	32.0 mm	110.0 mm	75.0 mm



Xtitanium 36W/s & 50W/s 0.3-1A



© 2016 Philips Lighting Holding B.V.
All rights reserved.

Specifications are subject to change without notice. Trademarks are the property of Koninklijke Philips N.V. (Royal Philips) or their respective owners.

www.philips.com/lighting

2016, March 15
data subject to change