



# HF-Essential for TL5/TL-D

HF-E 128 TL5 220-240 50/60Hz

Essentially smart and reliable HF-Essential is the most cost-effective, slim and affordable ballast to reliably operate a fluorescent lamp. It is also the ideal entry-level product for EM system users who want to enjoy the benefits offered by electronic ballasts. The cost-saving and reliable HF-Essential has an energy efficiency class A2, and its robust design meets all relevant international safety and performance standards. HF-Essential is intended for use with indoor lighting fixtures such as recessed luminaires, which are largely used in office, industrial, hotel, restaurant and other applications.

## Product data

### • General Information

Lamp Type	TL5
Number Of Lamps	1 piece/unit
Automatic Restart	Yes

### • Operating and Electrical

Input Voltage	220 to 240 V
Input Frequency	50 to 60 Hz
Operating Frequency (Nom)	50 kHz
Crestfactor (Nom)	1.8
Power Factor 100% Load (Nom)	0.95
Mains Voltage	184...253V
Performance (AC)	
Mains Voltage Safety (AC)	198...264V
Earth Leakage Current (Max)	0.5 mA
Inrush Current	0.3 ms
Width	
Ballast Factor (Nom)	1.04
Power Losses (Nom)	4.5 W
Inrush Current Peak (Max)	12 A

### • Wiring

Connector Type	Insert
Input Terminals	
Cable Capacity	120 pF
Output Wires Mutual (Max)	
Connector Type	Insert
Output Terminals	

Cable Length Hot Wiring	0.75 m
Wire Striplength	8.0-9.0 mm
Dual Fixture Master/Slave	Not applicable [ Master/Slave oper. not applicable]
Input Terminal Cross Section	0.50-1.50 mm <sup>2</sup>
Output Terminal Cross Section	0.50-1.50 mm <sup>2</sup>
Cable Capacity Cold	120 pF
Output Wires - Earth (Max)	
Cable Capacity Hot	120 pF
Output Wires - Earth (Max)	

### • System characteristics

Rated Ballast-Lamp Power	28 W
Rated Lamp Power On TL5	28 W
System Power On TL5	31.1/33.0/34.5 W
Lamp Power On TL5	27/28.3/29.8 W
Power Loss On TL5	4.1/4.7/4.7 W

### • Temperature

T-Ambient (Max)	50 °C
T-Ambient (Min)	0 °C
T-Storage (Max)	80 °C
T-Storage (Min)	-20 °C
T-Case Lifetime (Nom)	75 °C
T-Case Maximum (Max)	75 °C

**PHILIPS**

• Mechanical and Housing

Housing L 275x19.6x21.3

• Approval and Application

Energy Efficiency Index A2  
 EMI 9 kHz ... 30 MHz EN55015  
 Vibration Standard IEC 60068-2-6:2007-Fc  
 Bumps Standard IEC 60068-2-29:1993-Eb  
 Approval Marks CE marking  
 C-Tick certificate  
 CB Certificate  
 KEMA Keur certificate

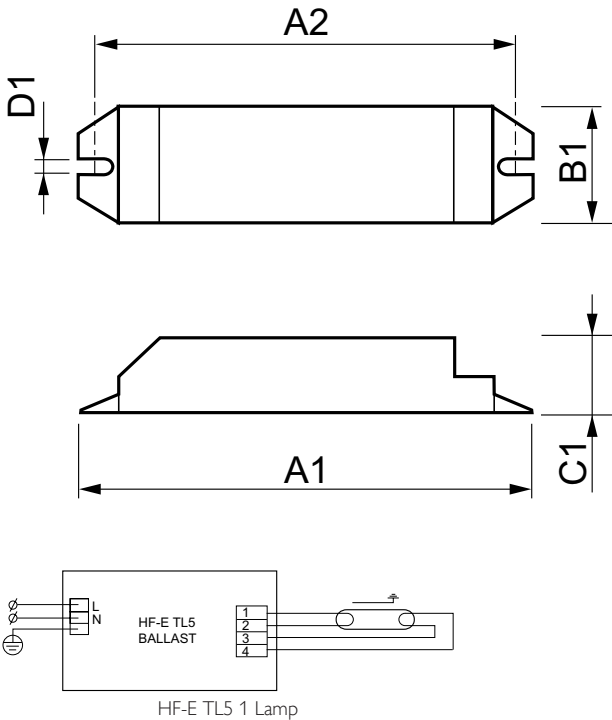
Hum And Noise Level

RoHS Compliant  
 < 30 dB(A)

• Product Data

Full product code 871829166883100  
 Order product name HF-E 128 TL5 220-240 50/60Hz  
 EAN/UPC - Product 8718291668831  
 Order code 66883100  
 Numerator - 1  
 Quantity Per Pack per outer box 50  
 Numerator - Packs 50  
 Material Nr. (12NC) 913713039566  
 Net Weight (Piece) 0.050 kg

Dimensional drawing



HF-E 128 TL5 220-240V 50/60Hz

Product	D1	C1	A1	A2	B1
HF-E 128 TL5 220-240 50/60Hz	4.2 mm	21.3 mm	275.0 mm	263.0 mm	19.6 mm



© 2016 Philips Lighting Holding B.V.  
 All rights reserved.

Specifications are subject to change without notice. Trademarks are the property of Koninklijke Philips N.V. (Royal Philips) or their respective owners.

[www.philips.com/lighting](http://www.philips.com/lighting)

2016, January 26  
 data subject to change