

HF-Essential for TL5/TL-D

HF-E 228 TL5 220-240 50/60Hz

Essentially smart and reliable HF-Essential is the most cost-effective, slim and affordable ballast to reliably operate a fluorescent lamp. It is also the ideal entry-level product for EM system users who want to enjoy the benefits offered by electronic ballasts. The cost-saving and reliable HF-Essential has an energy efficiency class A2, and its robust design meets all relevant international safety and performance standards. HF-Essential is intended for use with indoor lighting fixtures such as recessed luminaires, which are largely used in office, industrial, hotel, restaurant and other applications.

Product data

General Information		Power Losses (Nom)	
Lamp Type	TL5		6.7 W
Number Of Lamps	2 piece/unit	Inrush Current Peak (Max)	20 A
Automatic Restart	Yes	Wiring	
Operating and Electrical		Connector Type Input Terminals	Insert
Input Voltage	220 to 240 V	Cable Capacity Output Wires Mutual (Max)	120 pF
Input Frequency	50 to 60 Hz	Connector Type Output Terminals	Insert
Operating Frequency (Nom)	50 kHz	Cable Length Hot Wiring	0.75 m
Crestfactor (Nom)	1.8	Wire Striplength	8.0-9.0 mm
Power Factor 100% Load (Nom)	0.95	Dual Fixture Master/Slave	Not applicable [Master/Slave oper. not applicable]
Mains Voltage Performance (AC)	184...253V	Input Terminal Cross Section	0.50-1.50 mm ²
Mains Voltage Safety (AC)	198...264V	Output Terminal Cross Section	0.50-1.50 mm ²
Earth Leakage Current (Max)	0.5 mA	Cable Capacity Cold Output Wires - Earth (Max)	120 pF
Inrush Current Width	0.35 ms	Cable Capacity Hot Output Wires - Earth (Max)	120 pF
Ballast Factor (Nom)	1.03		

HF-Essential for TL5/TL-D

System characteristics

Rated Ballast-Lamp Power	28 W
Rated Lamp Power On TL5	28 W
System Power On TL5	35.1/36.2/37.7 W
Lamp Power On TL5	28.2/29.5/30.7 W
Power Loss On TL5	6.9/6.7/7 W

Temperature

T-Ambient (Max)	50 °C
T-Ambient (Min)	0 °C
T-Storage (Max)	80 °C
T-Storage (Min)	-20 °C
T-Case Lifetime (Nom)	75 °C
T-Case Maximum (Max)	75 °C

Mechanical and Housing

Housing	L 275x29.6x25.5
---------	-----------------

Approval and Application

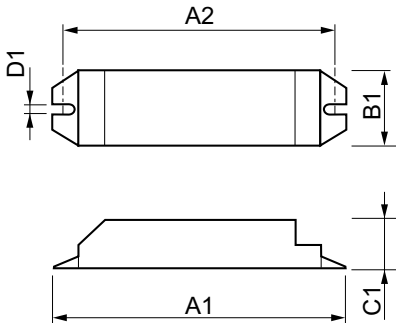
Energy Efficiency Index	A2
-------------------------	----

EMI 9 kHz ... 30 MHz	EN55015
Vibration Standard	IEC60068-2-6_2007-Fc
Bumps Standard	IEC 60068-2-29:1993-Eb
Approval Marks	CE marking C-Tick certificate CB Certificate KEMA Keur certificate ISO9001 RoHS Compliant
Hum And Noise Level	< 30 dB(A)

Product Data

Full product code	871829166887900
Order product name	HF-E 228 TL5 220-240 50/60Hz
EAN/UPC - Product	8718291668879
Order code	913713039766
Numerator - Quantity Per Pack	1
Numerator - Packs per outer box	20
Material Nr. (12NC)	913713039766
Net Weight (Piece)	0.091 kg

Dimensional drawing



HF-E 228 TL5 220-240V 50/60Hz

Product	D1	C1	A1	A2	B1
HF-E 228 TL5 220-240 50/60Hz	4.2 mm	25.5 mm	275.0 mm	263.0 mm	29.6 mm

