



6847FO 50W GZ6.35 8V ICT

Product family description

Quartz halogen lamps with integral reflector which serves as an efficient mirror condenser system

Product Features

- Dichroic coating on glass reflector radiates about 75% of the generated heat backwards, keeping temperatures within safe limits
- Halogen burner is precisely aligned using an optical system, so no realignment is needed when the lamp is replaced

Product Benefits

- Negligible depreciation in light output during lifetime
- High efficacy gives low energy consumption

Application

- 8/16 mm film projection
- Slide projection
- Enlargers
- Minilabs/colour printers
- Overhead projection
- Medical equipment
- Solar simulation
- Measuring equipment

Product data	
Order code	409928 60
Full product name	6847FO 50W GZ6.35 8V ICT
Packing type	1 Carton
Pieces per pack	1
Net weight per piece	23.300 GR
Successor order code	
Philips Code	6847FO
ANSI Code	-
LIF Code	-
Cap-Base	GZ6.35
Bulb	R50
Bulb Material	Quartz-UV Open
Operating Position	s115

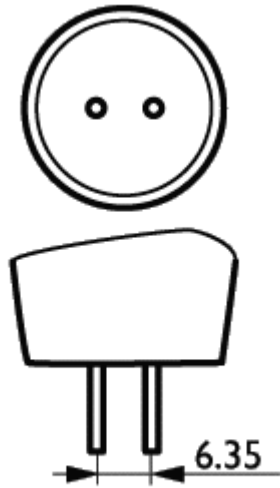
PHILIPS

Product data	
Main Application	Projection
Packing Type	ICT [1 Carton]
Packing Configuration	10X5F
Life to 50% failures	50 hr
Lamp Wattage	50W
Voltage	8V
Luminous Intensity	- cd
Color Rendering Index	100 Ra8



no
image
available

XHFODI GZ6.35



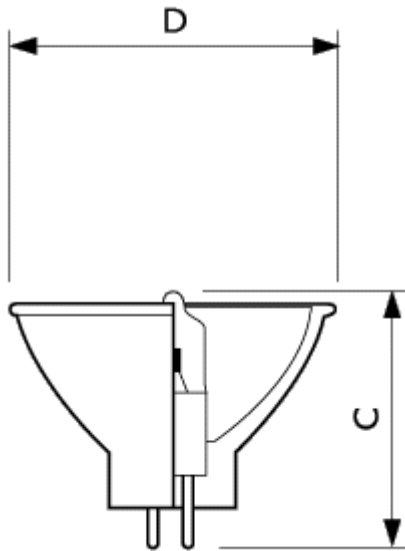
Cap-Base GZ6.35



Operating Position s I 15



Non-household



XHFODI GX5.3/GZ6.35

	C	C	D	D
Full product name	Max	Max	Max	Max
6847FO 50W 8V	42	42	50	50



©2009 Koninklijke Philips Electronics N.V.

All rights reserved. Reproduction in whole or in part is prohibited without the prior written consent of the copyright owner. The information presented in this document does not form part of any quotation or contract, is believed to be accurate and reliable and may be changed without notice. No liability will be accepted by the publisher for any consequence of its use. Publication thereof does not convey nor imply any license under patent- or other industrial or intellectual property rights.

Document order number : 0000 000 00000