



# Dynalite Sensors

## DUS804C

Low profile recessed 360° flush mount ceiling sensor

Low profile recessed 360° flush mount ceiling sensor

### Product data

General Information	
CE mark	CE mark
Remarks	Please download the Lighting - Product Data Sheet for more information and ordering options
RoHS mark	RoHS mark

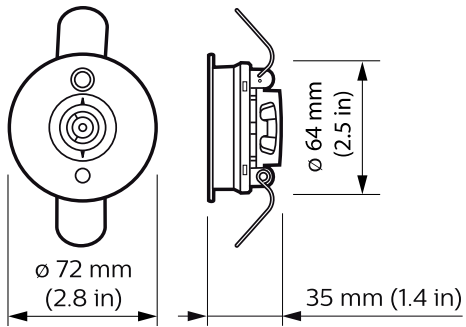
Application Conditions	
Ambient temperature range	0 to +45 °C

Product Data	
Full product code	871016350729300

Order product name	DUS804C
EAN/UPC - Product	8710163507286
Order code	913703071009
Numerator - Quantity Per Pack	1
Numerator - Packs per outer box	1
Material Nr. (12NC)	913703071009
Net Weight (Piece)	0.053 kg

## Dynalite Sensors

### Dimensional drawing



Dynalite Sensors

