



# Ledinaire StreetLight

## BRP056 LED55/740 PSU 42W SLF CE

LED module 5500 lm - Electronic transformer - Safety class II -  
 - - Side-entry for diameter 48 to 60 mm

Ledinaire Streetlight has been designed with Led transition in mind. Whether to refurbish old HID lanterns, or on a new country street, where you want citizens to feel safe. Ledinaire Streetlight offers simple benefits and reliable performance

### Product data

General Information	
Lamp family code	LED55 [ LED module 5500 lm]
Light source color	740 neutral white
Light source replaceable	No
Number of gear units	1 unit
Driver/power unit/transformer	Electronic transformer
Driver included	Yes
Optical cover/lens type	Polycarbonate
Luminaire light beam spread	-
Connection	-
Cable	Cable 0.5 m without plug
Protection class IEC	Safety class II
Flammability mark	-
CE mark	CE mark
ENEC mark	-
Warranty period	3 years
Optic type outdoor	-
Constant light output	No
Number of products on MCB of 16 A type B	56

Photobiological risk	Photobiological risk group 1 @ 200mm to EN62471
Photobiological risk specification	4 m
EU RoHS compliant	Yes
Light source engine type	LED

Light Technical	
Upward light output ratio	0
Standard tilt angle posttop	-
Standard tilt angle side entry	0°

Operating and Electrical	
Input Voltage	220/240 V
Input Frequency	50 or 60 Hz
Inrush current	1.1 A
Inrush time	10.5 ms
Power Factor (Min)	0.95

# Ledinaire StreetLight

## Controls and Dimming

Dimmable	No
----------	----

## Mechanical and Housing

Housing Material	Aluminium pressure die cast
Reflector material	-
Optic material	Polycarbonate
Optical cover/lens material	Polycarbonate
Fixation material	Aluminum
Mounting device	Side-entry for diameter 48 to 60 mm
Optical cover/lens shape	Curved
Optical cover/lens finish	Clear
Overall height	78 mm
Effective projected area	0.06 m <sup>2</sup>
Color	Dark gray
Dimensions (Height x Width x Depth)	78 x NaN x NaN mm (3.1 x NaN x NaN in)

## Approval and Application

Ingress protection code	IP65 [ Dust penetration-protected, jet-proof]
Mech. impact protection code	IK07 [ 2 J reinforced]
Surge Protection (Common/Differential)	Luminaire surge protection level until 4 kV differential mode and 4 kV common mode

## Initial Performance (IEC Compliant)

Initial luminous flux (system flux)	4850.1 lm
Luminous flux tolerance	+/-7%

Initial LED luminaire efficacy	115 lm/W
Init. Corr. Color Temperature	4000 K
Init. Color Rendering Index	>70
Initial chromaticity	(0.3796 / 0.3704)SDCM 5
Initial input power	42 W
Power consumption tolerance	+/-10%

## Over Time Performance (IEC Compliant)

Lumen maintenance at median useful life*	L80
50000 h	

## Application Conditions

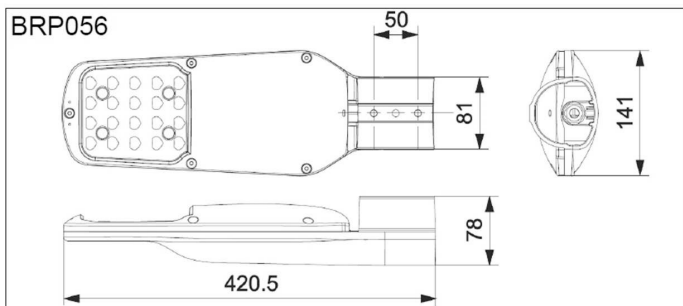
Ambient temperature range	-30 to +40 °C
Performance ambient temperature Tq	25 °C
Maximum dim level	Not applicable

## Product Data

Full product code	871951451209299
Order product name	BRP056 LED55/740 PSU 42W SLF CE
EAN/UPC - Product	8719514512092
Order code	919515814272
Numerator - Quantity Per Pack	1
Numerator - Packs per outer box	4
Material Nr. (12NC)	919515814272
Net Weight (Piece)	1.500 kg



## Dimensional drawing



CoreLine Malaga LED BRP101/102

## Ledinaire StreetLight

