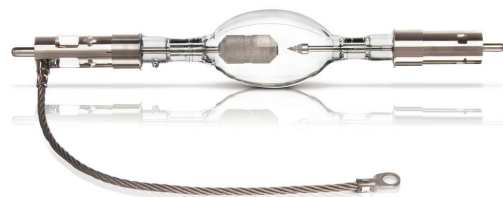


**PHILIPS**

Lighting



# Other digital cinema projectors

## XDC 6500 TA

Digital Xenon Cinema TA-type lamps are ideal for today's demanding 3D and 2D digital cinema presentations. There is a choice of four power ratings in the TA-type Digital Cinema Xenon lamps range: 3000W, 4500W, 6000W or 6500W. These lamps produce the very high light output needed to maximize screen brightness and enhance the dramatic effect for the viewer. These long-life digital lamps also provide constant color temperature characteristics, and meet all of the stringent arc-stability requirements for consistent customer satisfaction. In addition to TA-type Digital Cinema Xenon lamps there are B-, C-, N-, and S-type Digital Cinema Xenon lamps. These are all individually customized per projector, so there is a different, perfect-fitting lamp for each projector model to ensure optimized projector performance.

### Product data

General Information	
Operating Position	P15 [ Parallel +/-15D or Horizontal(HOR)]
Main Application	Cinema
Nominal Lifetime (Nom)	500 h
Magnet	Horizontal required

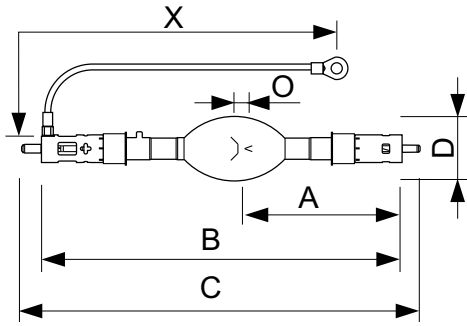
  

Operating and Electrical	
Power (Rated) (Nom)	6500 W
Lamp Current Span	140/175 A
Lamp Current (Nom)	170 A
Voltage (Nom)	38 V

Product Data	
Full product code	872790085629300
Order product name	XDC 6500 TA
EAN/UPC - Product	8727900856293
Order code	928414606301
Numerator - Quantity Per Pack	1
Numerator - Packs per outer box	1
Material Nr. (12NC)	928414606301
Net Weight (Piece)	1.165 kg

## Other digital cinema projectors

### Dimensional drawing



Product	O	D	X	B (max)	C (max)	A
XDC 6500 TA	7.5 mm	70 mm	400 mm	391 mm	433 mm	170.5 mm

LTIX XDC 6500W TA

